

# HYPER GT2

Nitro

## HoBao

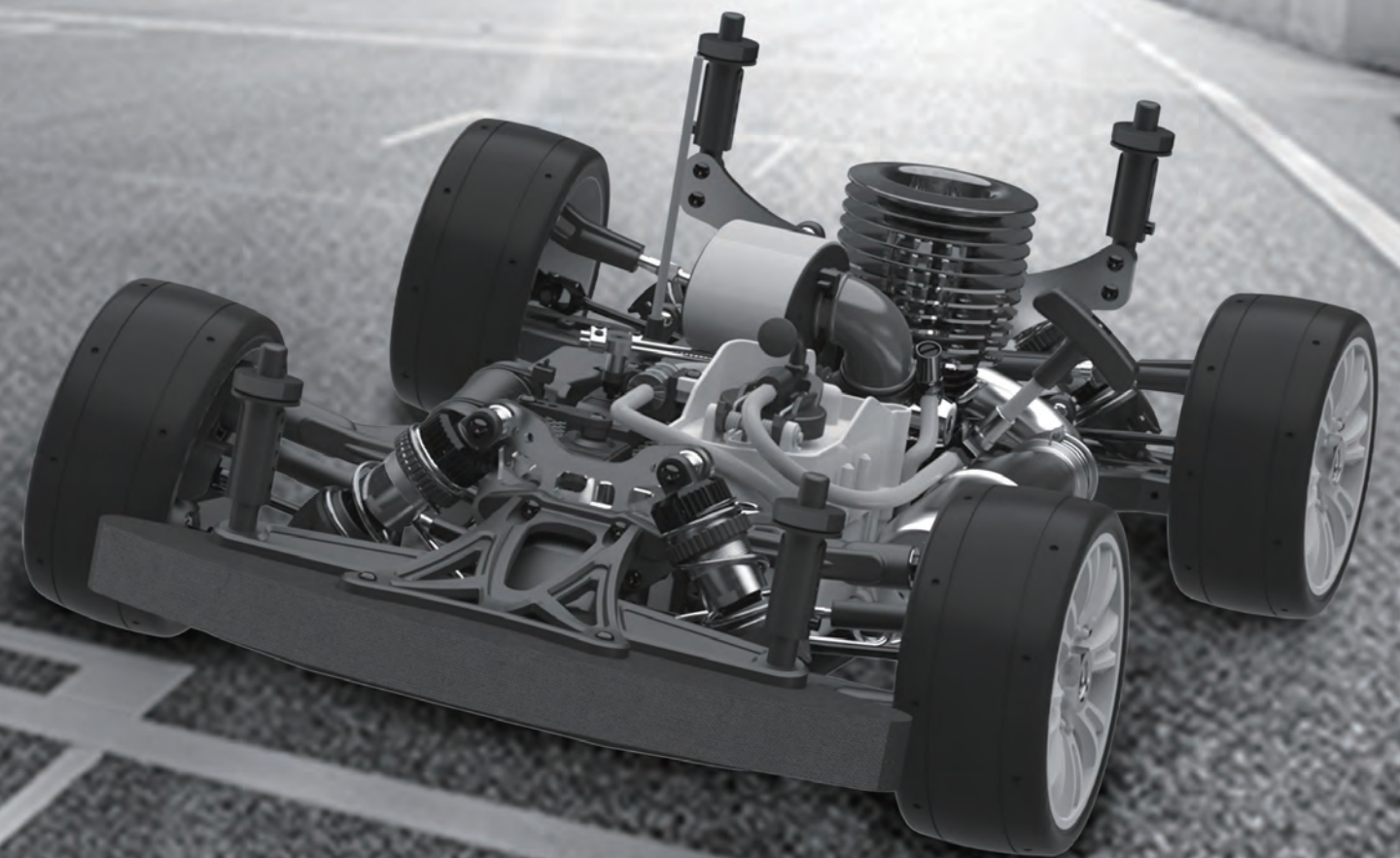
HoBao Racing Inc.

No. 34, Lane 112, Szu Yuan Road, Hsin Chuang District,  
New Taipei City, Taiwan 24250  
Phone: +886-2-2996-2229  
Email: [hobao@hobao.com.tw](mailto:hobao@hobao.com.tw)

HoBao Racing USA

7607 Grissom Road, Suite  
#107, San Antonio, TX 78251, US  
Tel: +1-888-687-6780  
Email: [info@hobao-usa.com](mailto:info@hobao-usa.com)

HoBao Racing Direct eShop: <http://eshop.hobao-racing.com>

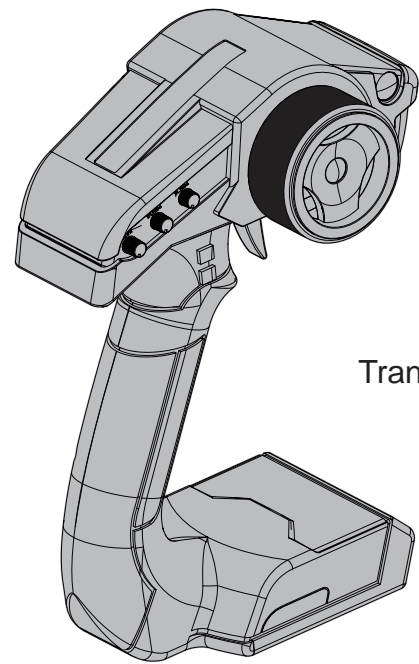


## INSTRUCTION MANUAL

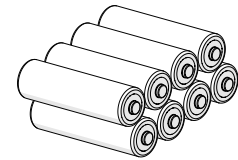
# HYPER GT2

## REQUIRED

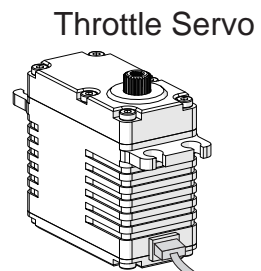
### Radio Control Equipment Set



Transmitter

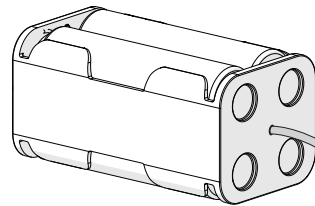
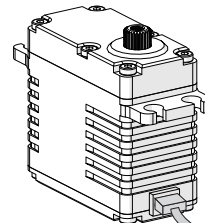


8 AA Size Batteries For Transmitter

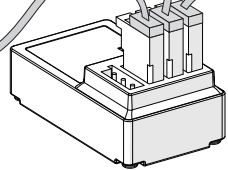


Throttle Servo

Steering Servo

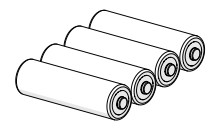


Battery Pack



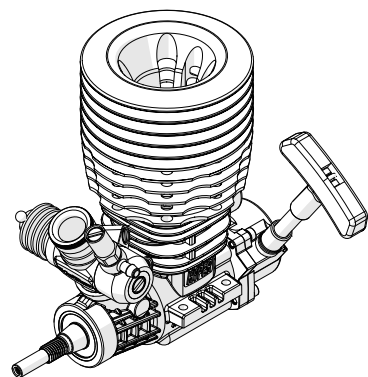
Receiver

On / Off Switch

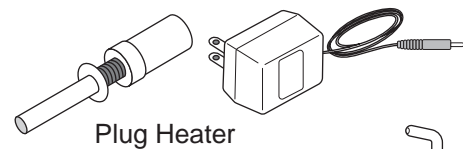


4 AA Size Batteries For Receiver

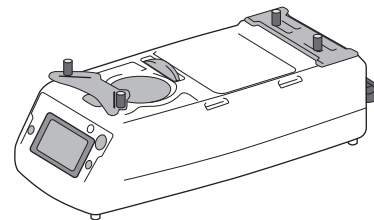
### Hyper / Mac Engine Series



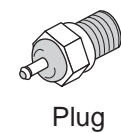
### Required For Engine Starting



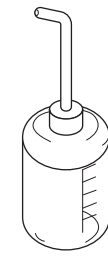
Plug Heater



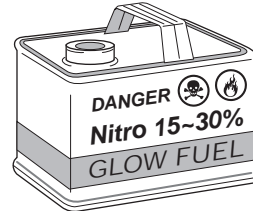
Starter Box



Plug



Fuel Bottle



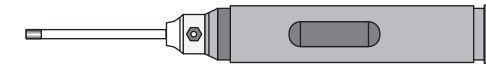
Glow Fuel



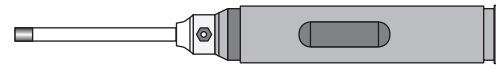
## Tools Recommended

### Hex Wrench

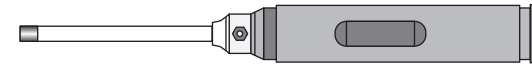
1.5 mm



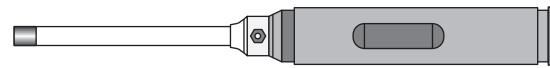
2 mm



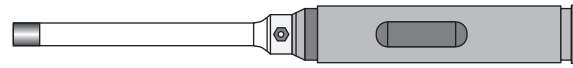
2.5 mm



3 mm



4 mm



1.5 mm

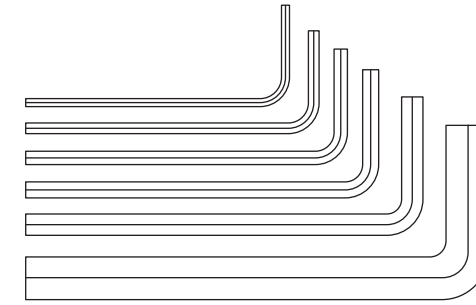
2 mm

2.5 mm

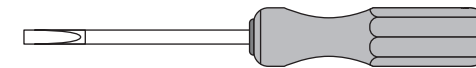
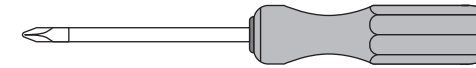
3 mm

4 mm

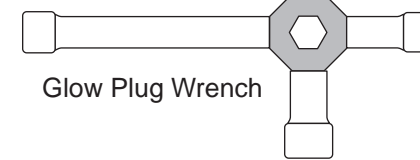
8 mm



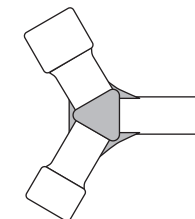
### Screwdriver



### Wrench



Glow Plug Wrench



### Instant Cement



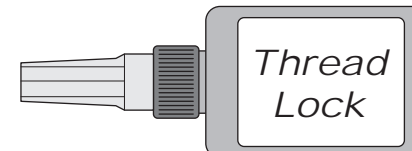
Cement Accelerator

### Rubber Cement



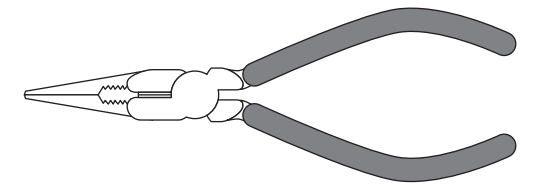
Rubber Cement

### Thread Lock

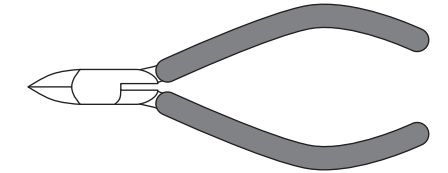


Thread Lock

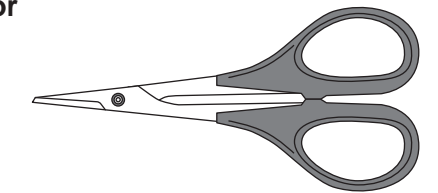
### Long Nose Pliers



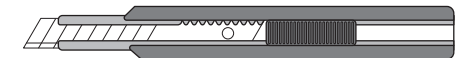
### Side Cutter



### Curved Scissor



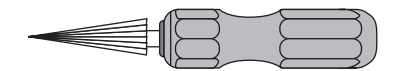
### Modeling Knife



### Tweezers



### Reamer



### Grease



Grease

### Silicone Oil



SILICONE OIL



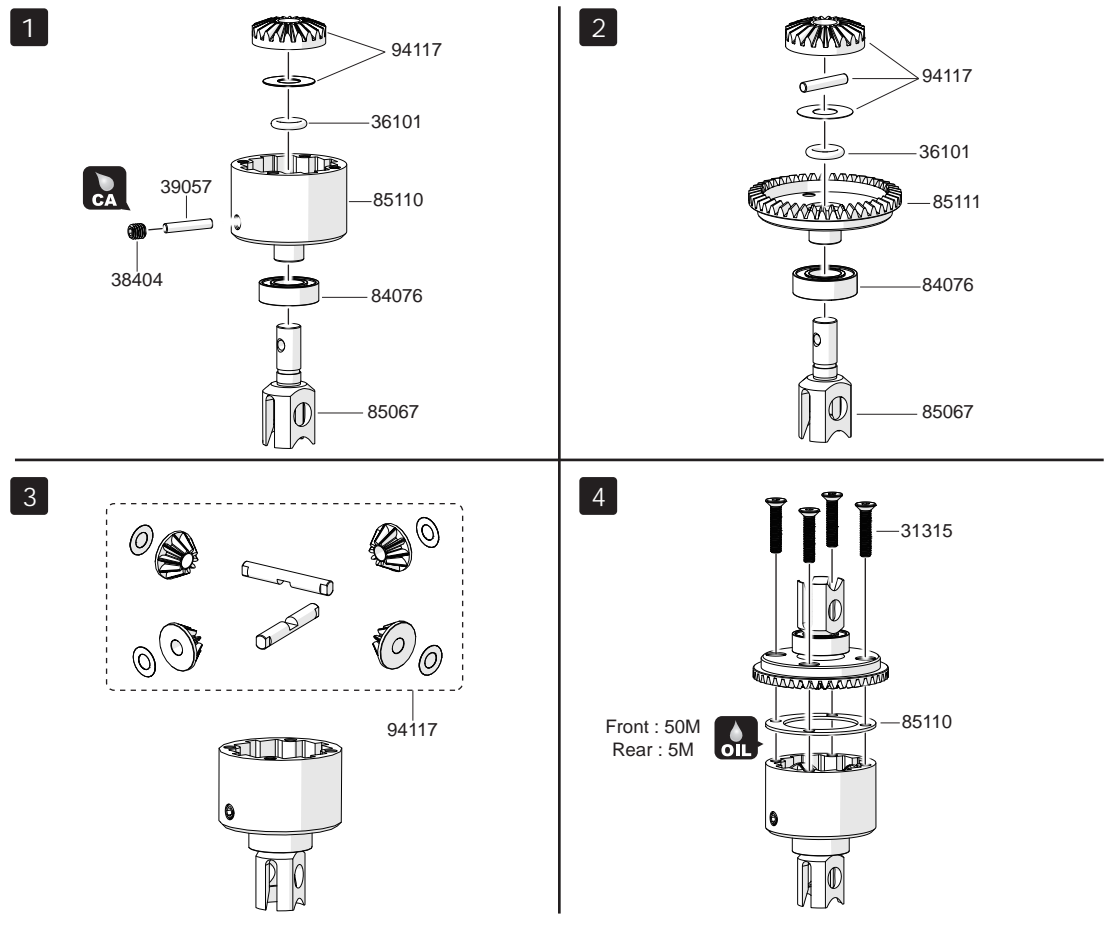
火気厳禁

SILICONE OIL

1

### Front / Rear Differential Assembly

x2

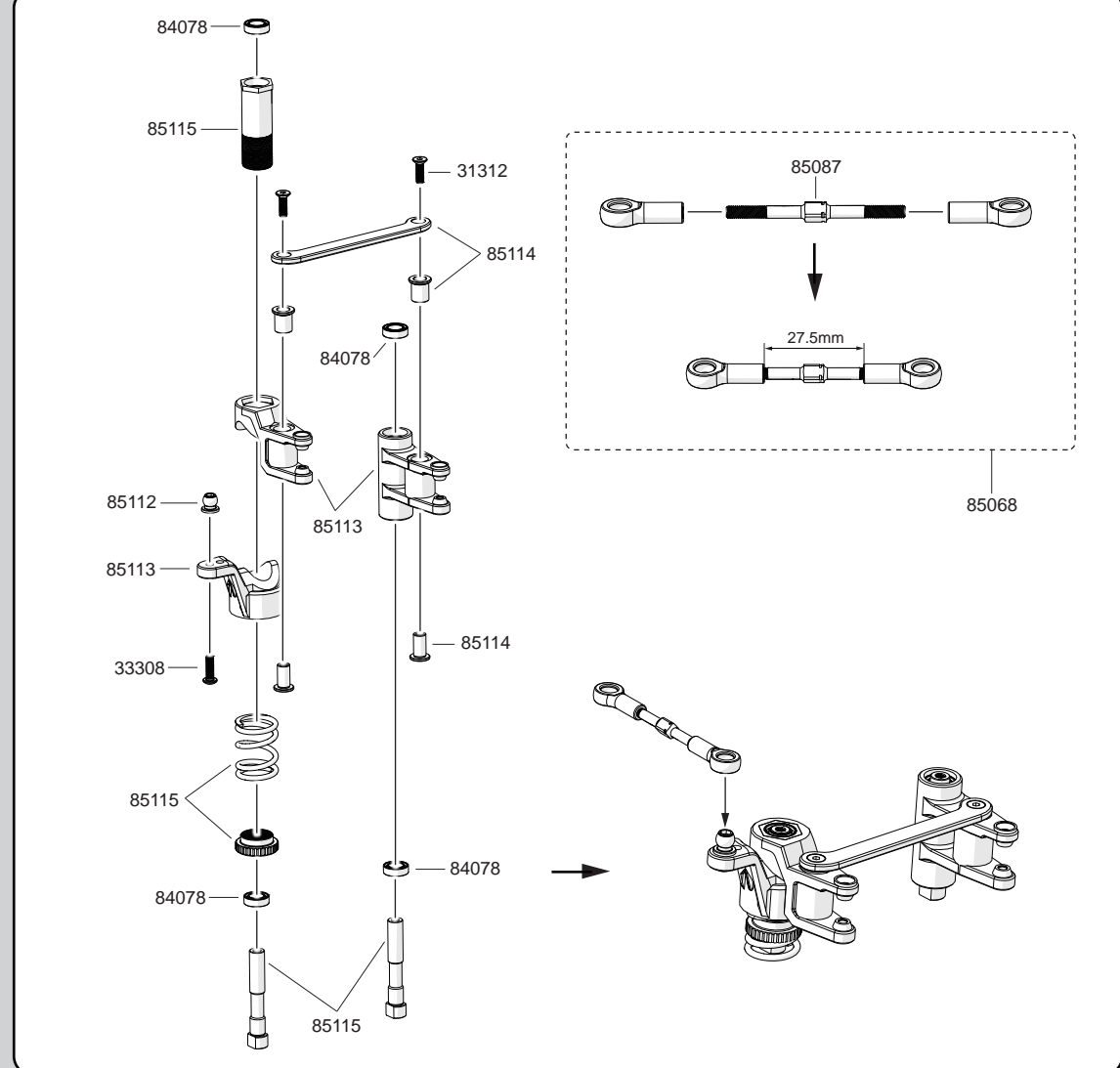


- 94117  
4.1x8x0.1mm x8  
Washer
- 87005-2  
6.1x13.9x0.15mm x4  
Washer
- 36101  
5.8x1.9mm x4  
O-ring
- 38404  
M4x4 x2  
Set Screw
- 31315  
M3x15 x8  
F/H Screw
- 39057  
2.5x10.8mm x4  
Shaft
- 84076  
8x16x5mm x4  
Ball Bearing

4

- 31312  
M3x12 x2  
F/H Screw
- 33308  
M3x8 x1  
B/H Screw
- 84078  
6x10x3mm x4  
Ball Bearing

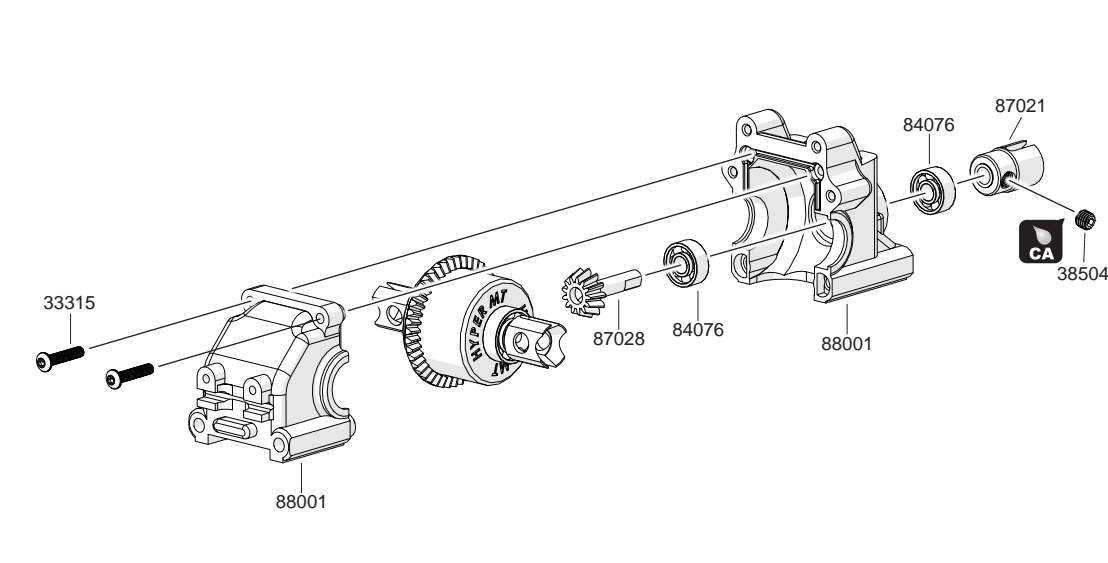
### Servo Saver Assembly 1



2

### Front / Rear Gear Box Assembly

x2

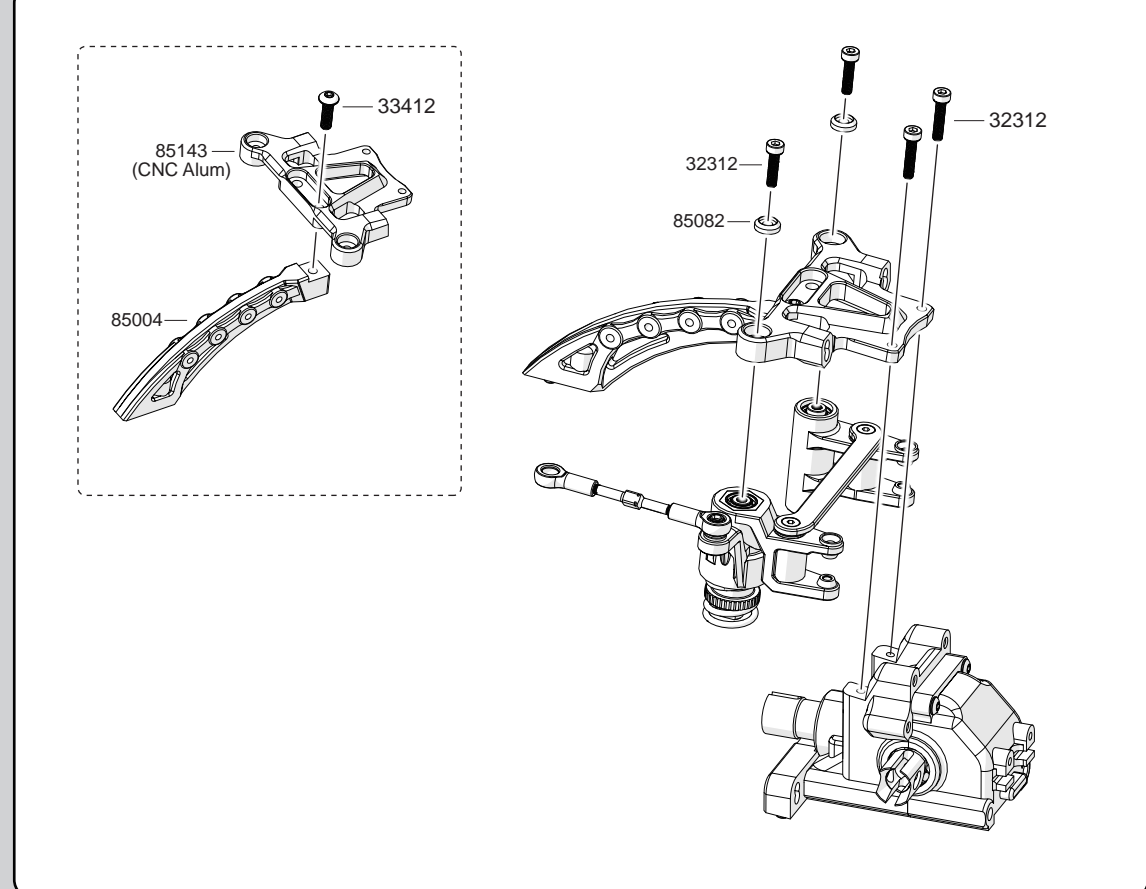


- 38504  
M5x4 x2  
Set Screw
- 33315  
M3x15 x4  
B/H Screw
- 84076  
8x16x5mm x4  
Ball Bearing

5

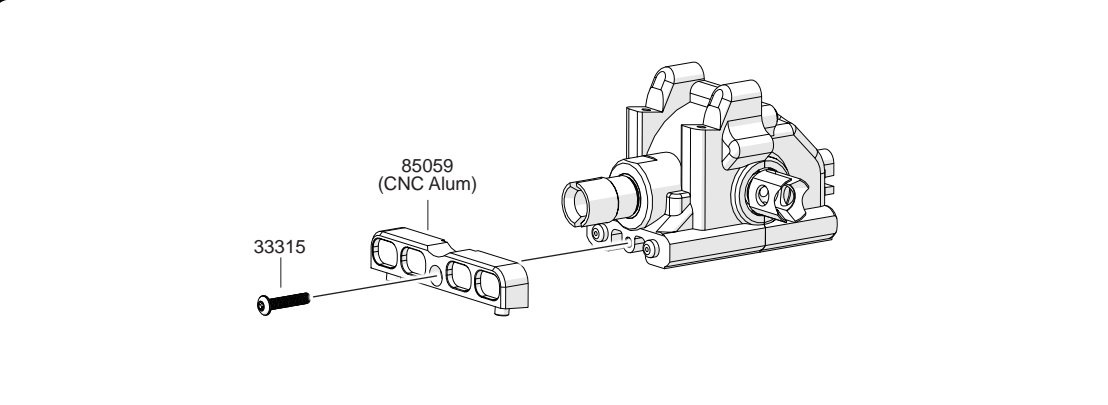
- 32312  
M3x12 x4  
Cap Screw
- 33412  
M4x12 x2  
B/H Screw

### Servo Saver Assembly 2



3

### Alum Front Lower Arm Holder Assembly

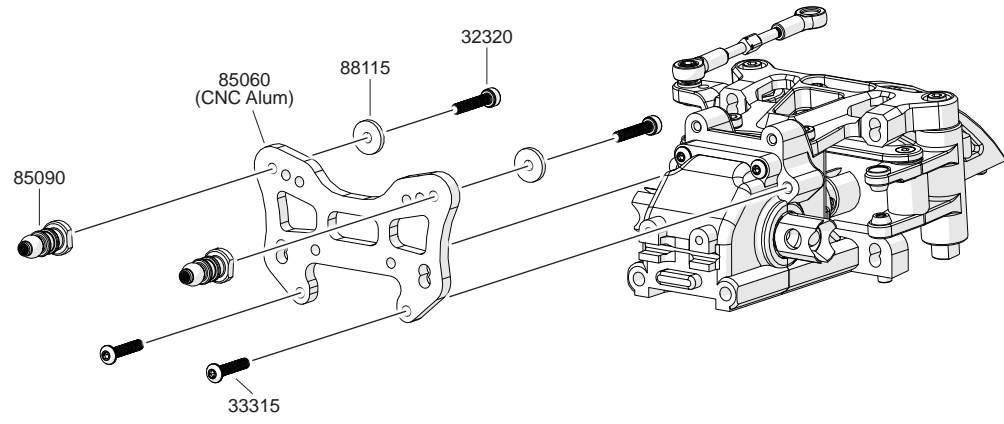


- 33315  
M3x15 x4  
B/H Screw

6

### Front Shock Tower Assembly

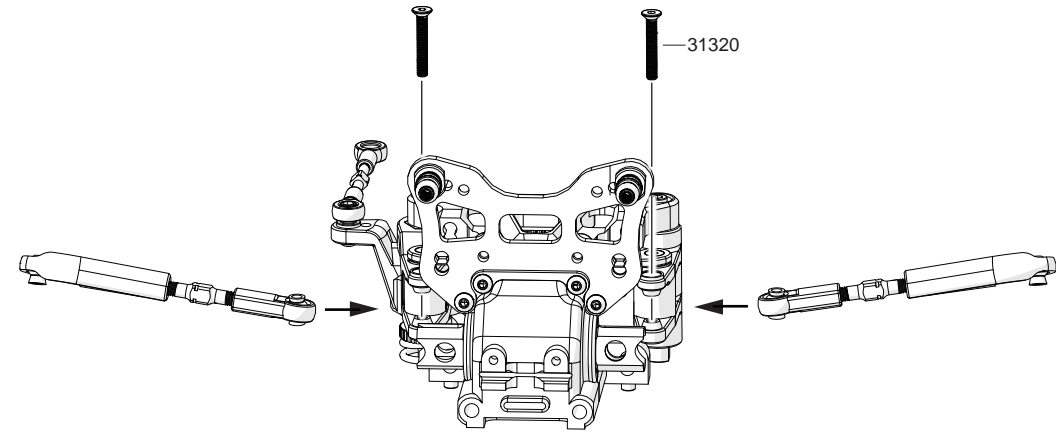
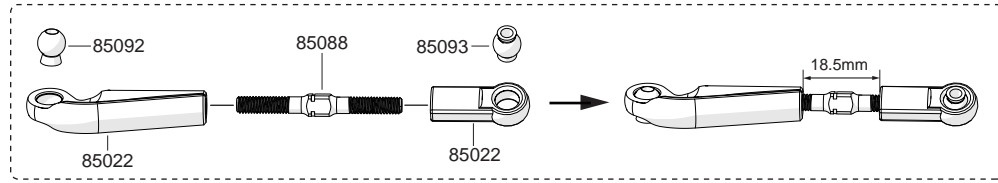
- 33315  
M3x15 x2  
B/H Screw
- 32320  
M3x20 x2  
Cap Screw



7

### Steering Linkage Assembly

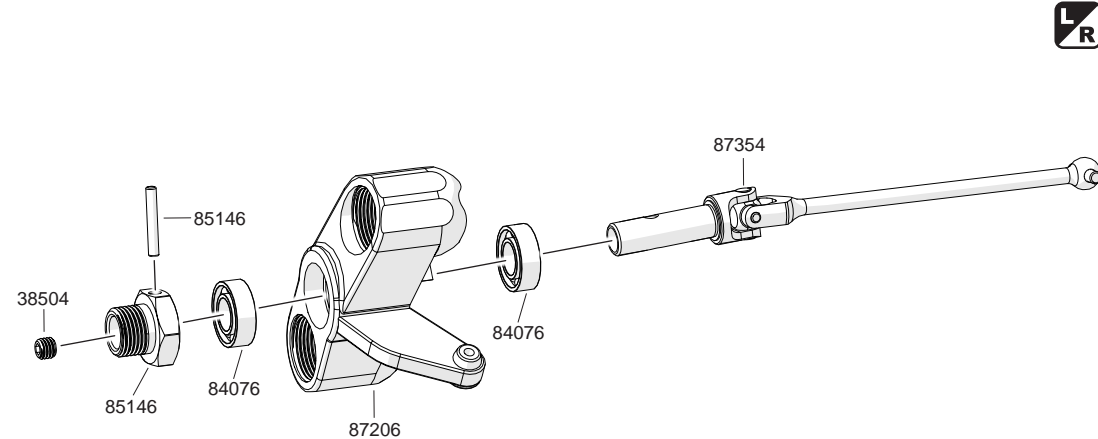
- 31320  
M3x20 x2  
F/H Screw



8

### Universal Joint Shaft And Wheel Hex Hubs Assembly

- 38504  
M5x4 x2  
Set Screw
- 85146  
2.5x16.8mm x2  
Shaft
- 84076  
8x16x5mm x4  
Ball Bearing

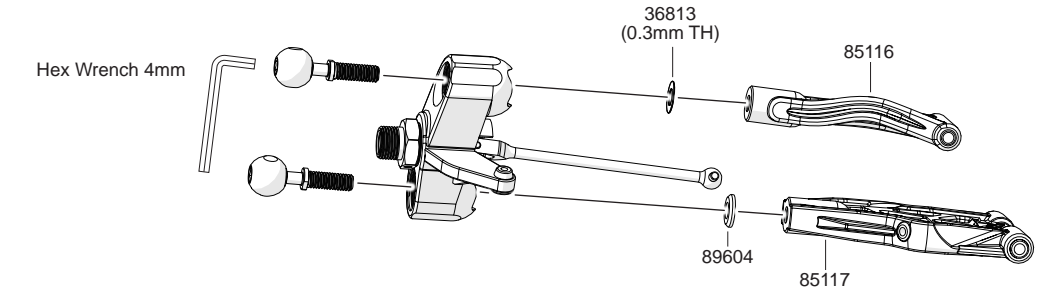


9

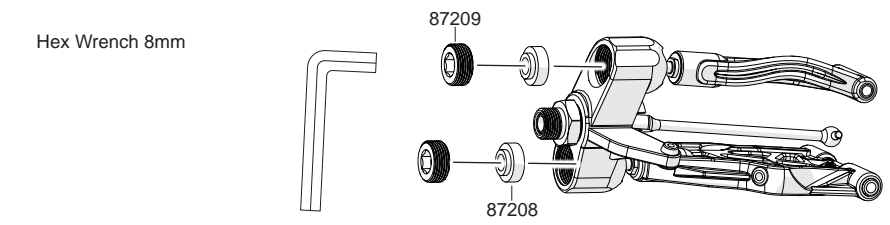
### Front Ball Steering Assembly

- 87209  
Set Screw
- 36813  
6.3x11.8x0.3mm  
Washer
- 85152  
M4x10 x2  
Set Screw

#### STEP 1



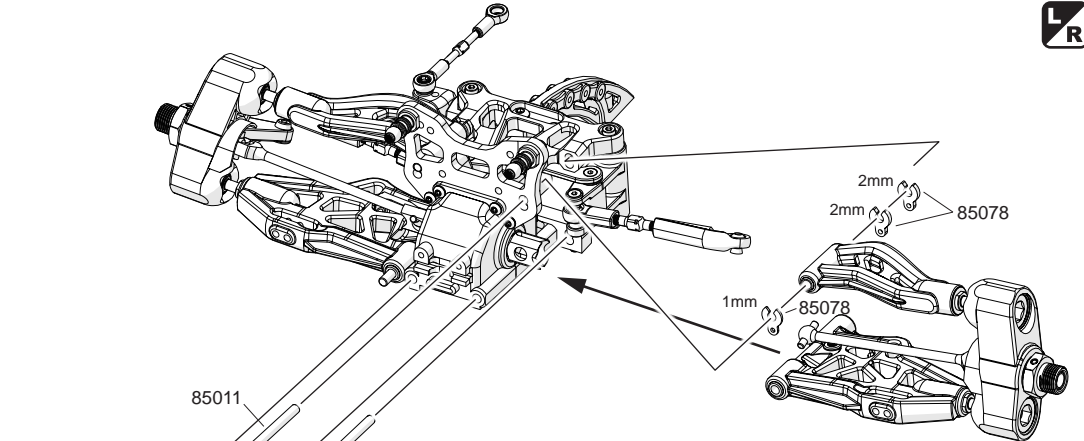
#### STEP 2



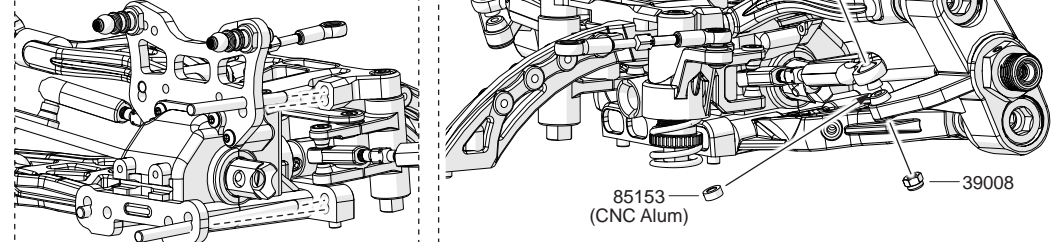
10

### Front Suspension Arm Assembly

- 31322  
M3x20 x2  
F/H Screw



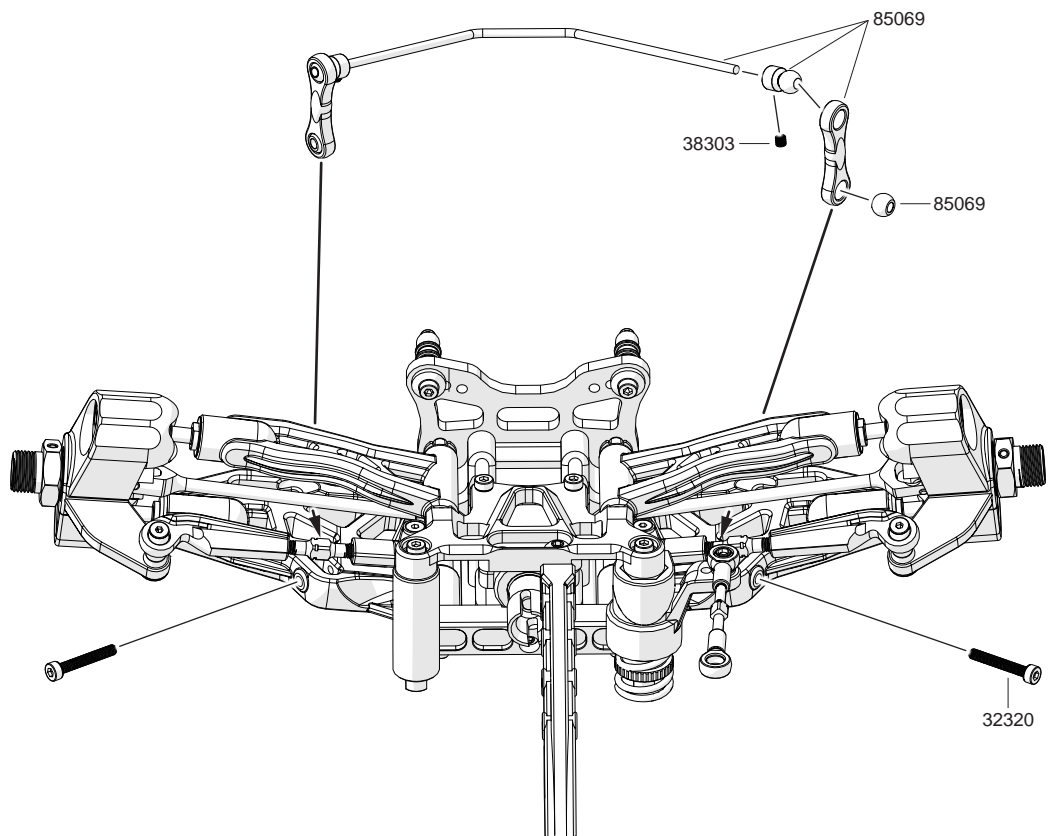
Adjust Pin Position for Different Angle



11

### Front Sway Bar Assembly

- 32320 M3x20 x2 Cap Screw
- 38303 M3x3 x2 Set Screw



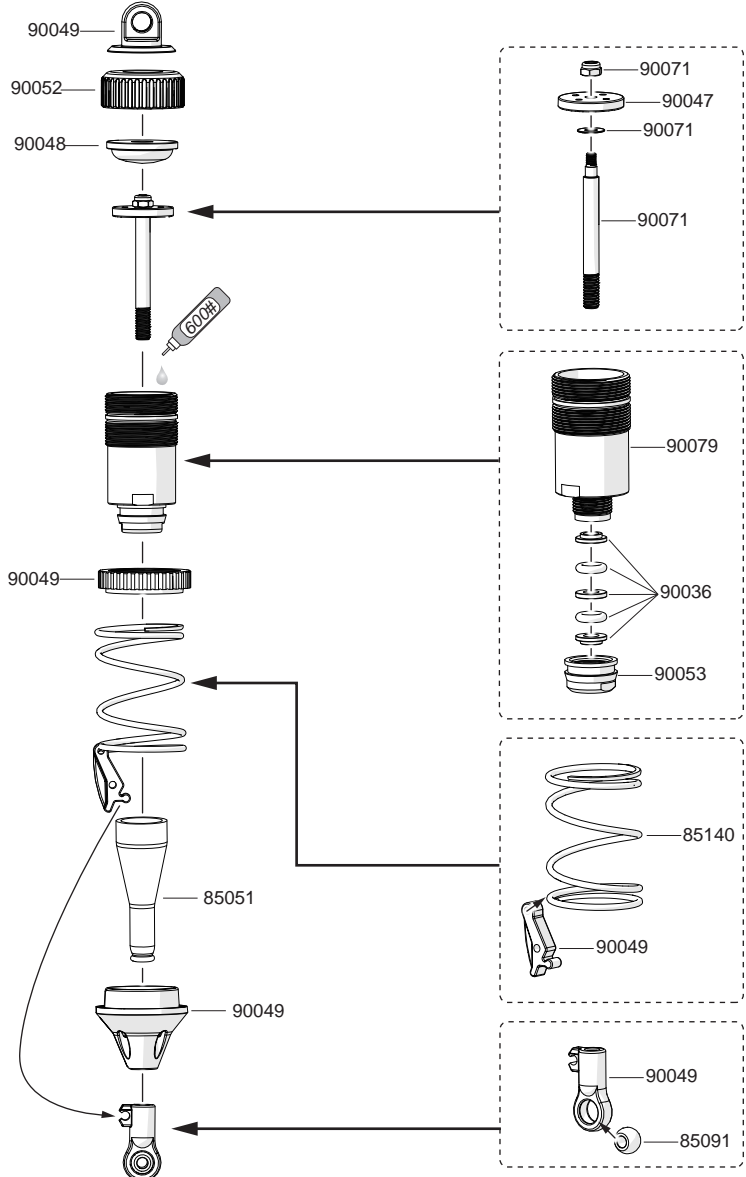
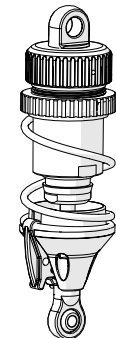
13

- 90071 M2.6 Nut x4
- 90071 3.1x7x0.25mm x4 Washer
- 90036 O-Ring Shield
- 90036 4x8mm x8 O-Ring
- 90036 4.05x7.98x1.2mm x4 Washer
- 85091 6.8mm x4 Ball
- 90047 3x17x2.4mm

### Front / Rear Shock Absorber Assembly

x4

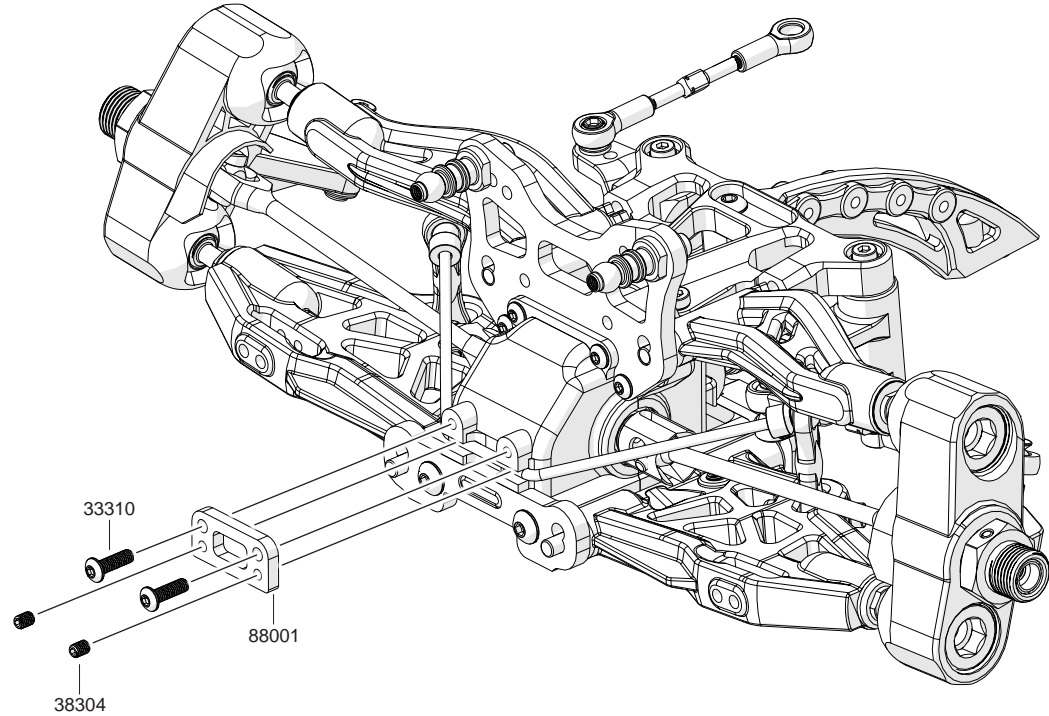
No. 90082 Shock Set



12

### Rear Sway Bar Assembly

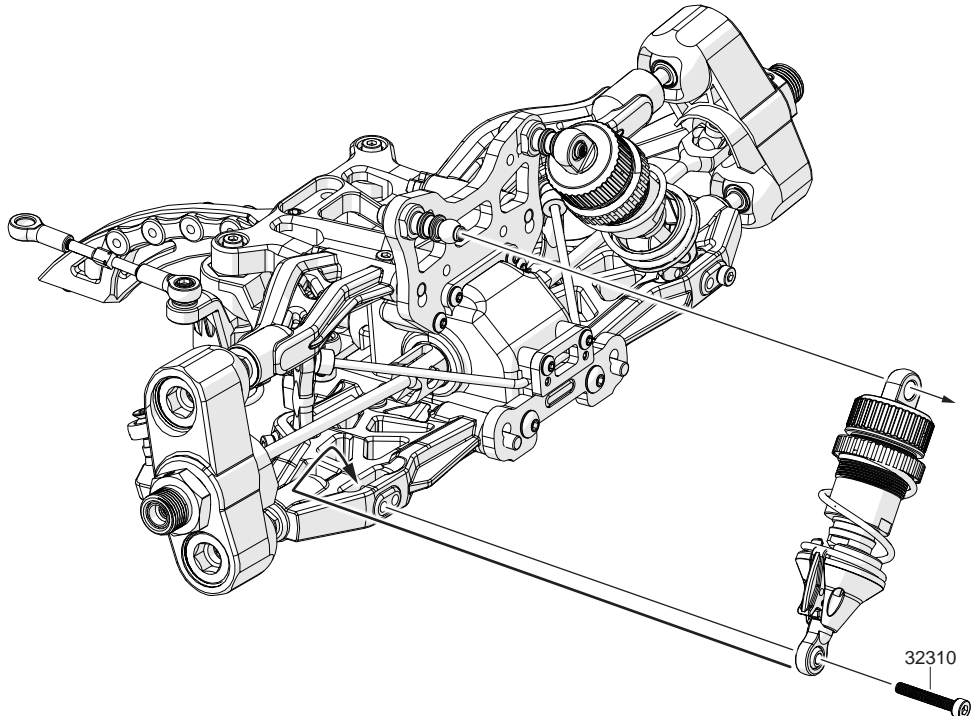
- 38304 M3x4 x2 Set Screw
- 33310 M3x10 x2 B/H Screw



14

- 32310 M3x10 x2 Cap Screw

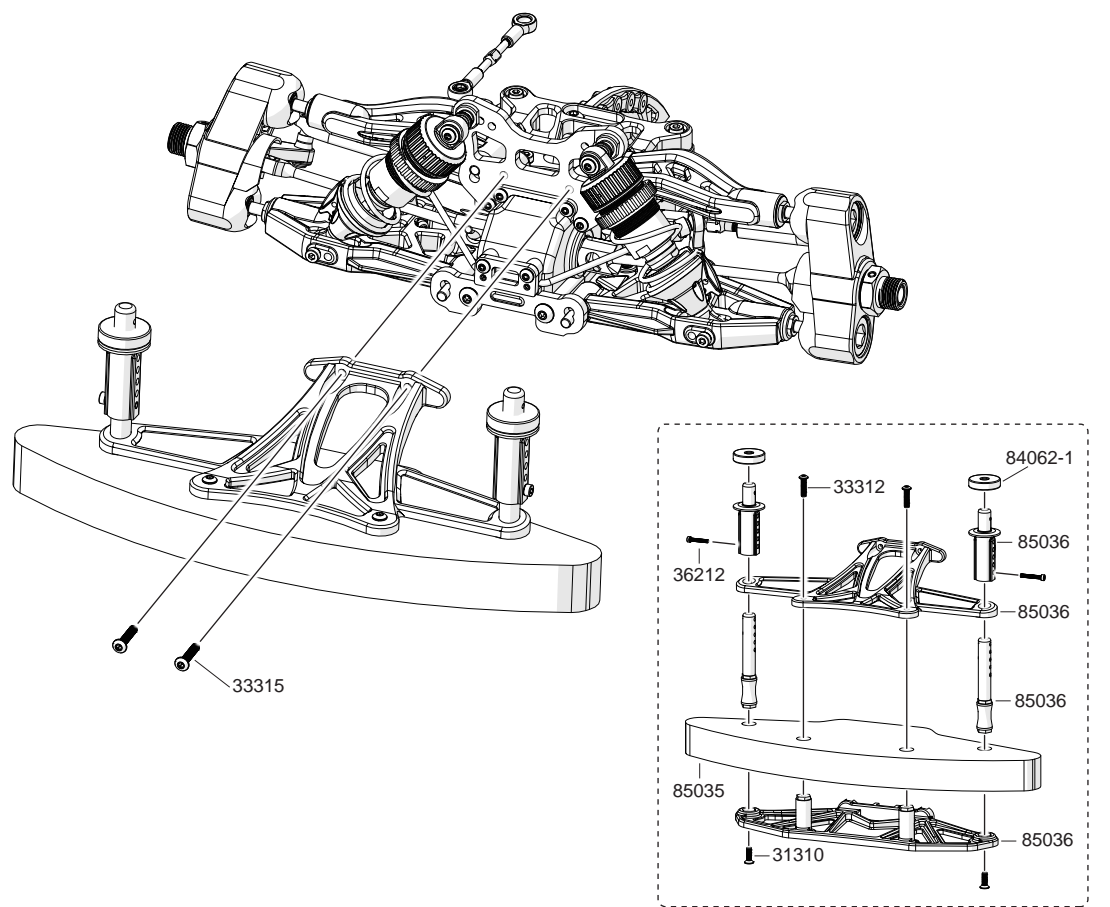
### Front Shock Assembly



15

### Front Bumper Assembly

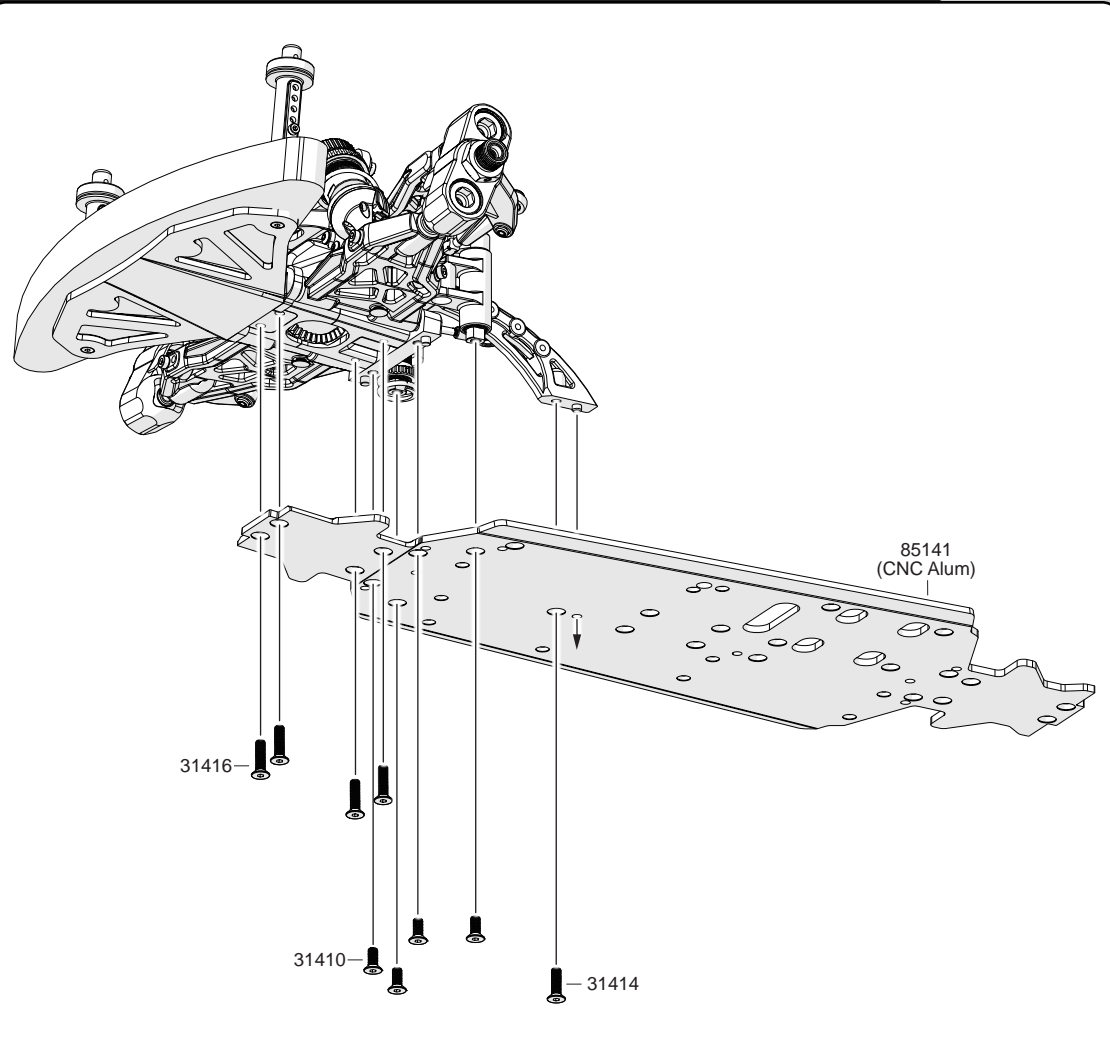
- 36212 M2.6x12 x2 Cap Screw
- 33312 M3x12 x8 B/H Screw
- 33315 M3x15 x2 B/H Screw
- 31310 M3x10 x2 F/H Screw



16

### Front Clip Assembly

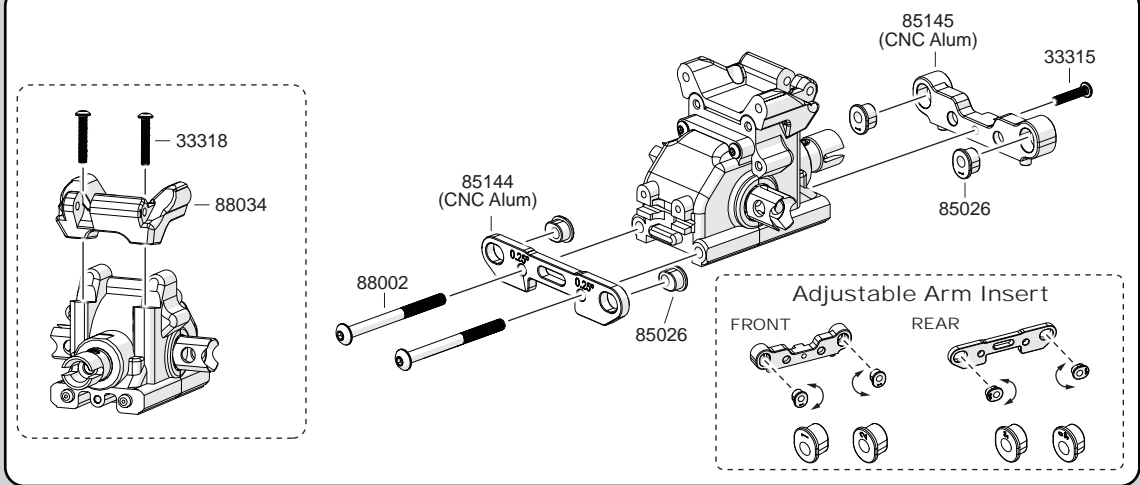
- 31410 M4x10 x4 F/H Screw
- 31414 M4x14 x2 F/H Screw
- 31416 M4x16 x4 F/H Screw



17

### Gear Box And Lower Arm Holder Assembly

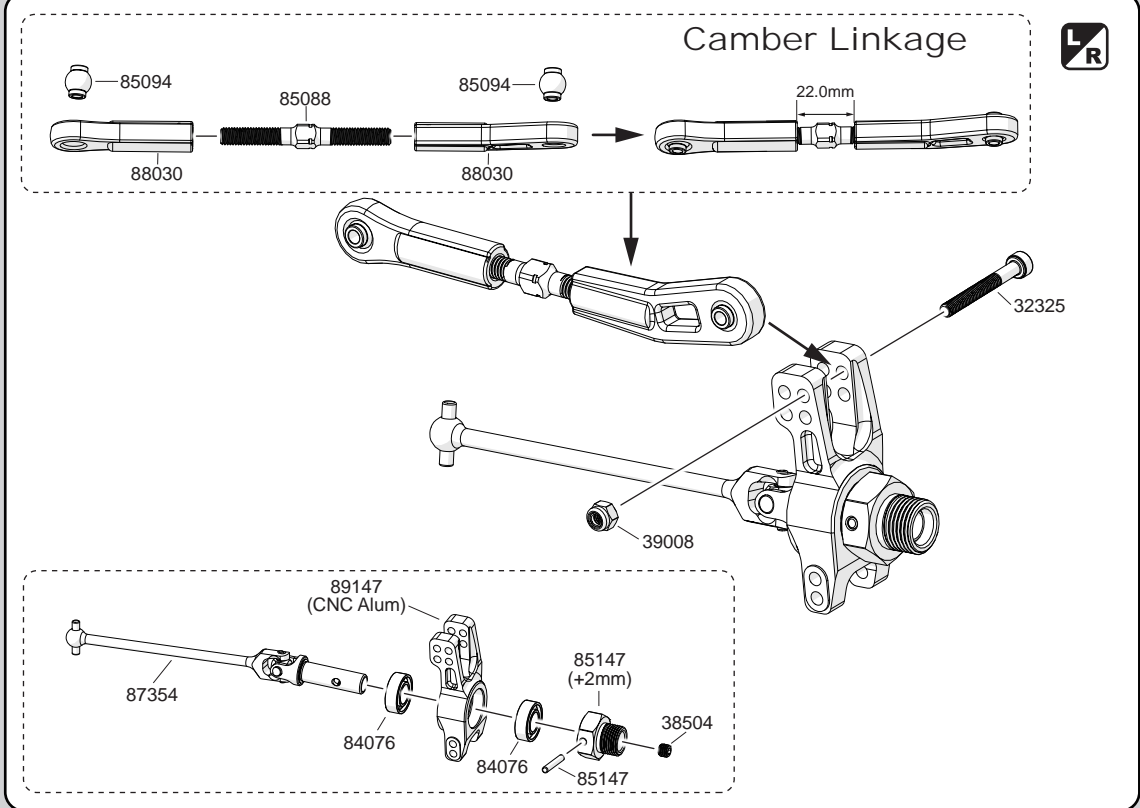
- 33315 M3x15 x3 B/H Screw
- 33318 M3x18 x2 B/H Screw



18

### Rear Hex Hub Assembly 1

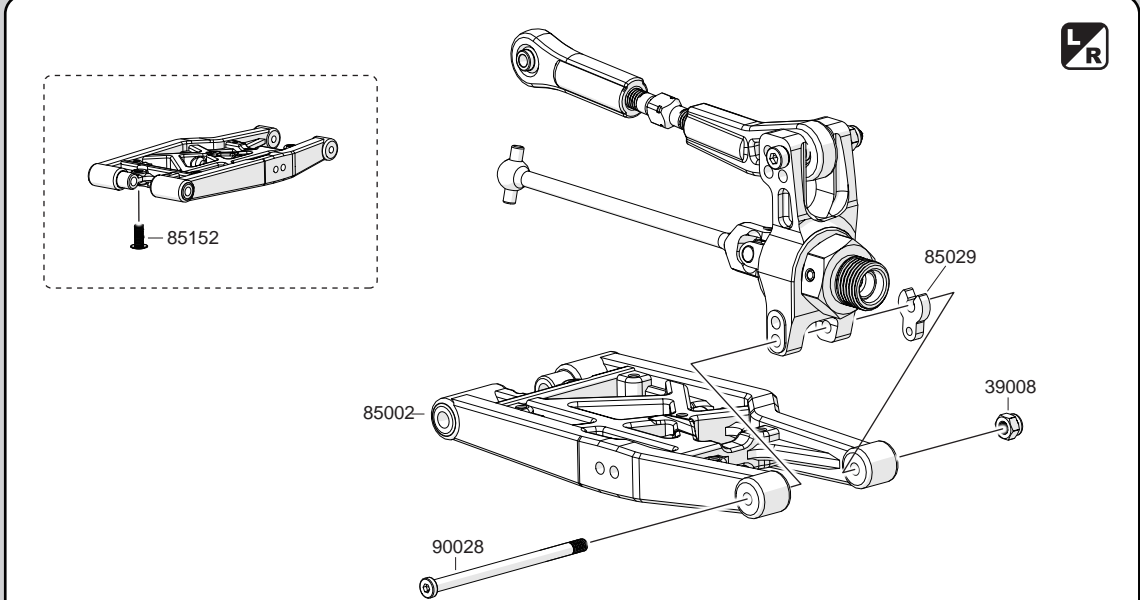
- 39008 M3 Nut x2
- 38504 M5x4 x2 Set Screw
- 84076 8x16x5mm x4 Ball Bearing
- 32325 M3x25 x2 Cap Screw



19





### Rear Hex Hub Assembly 2

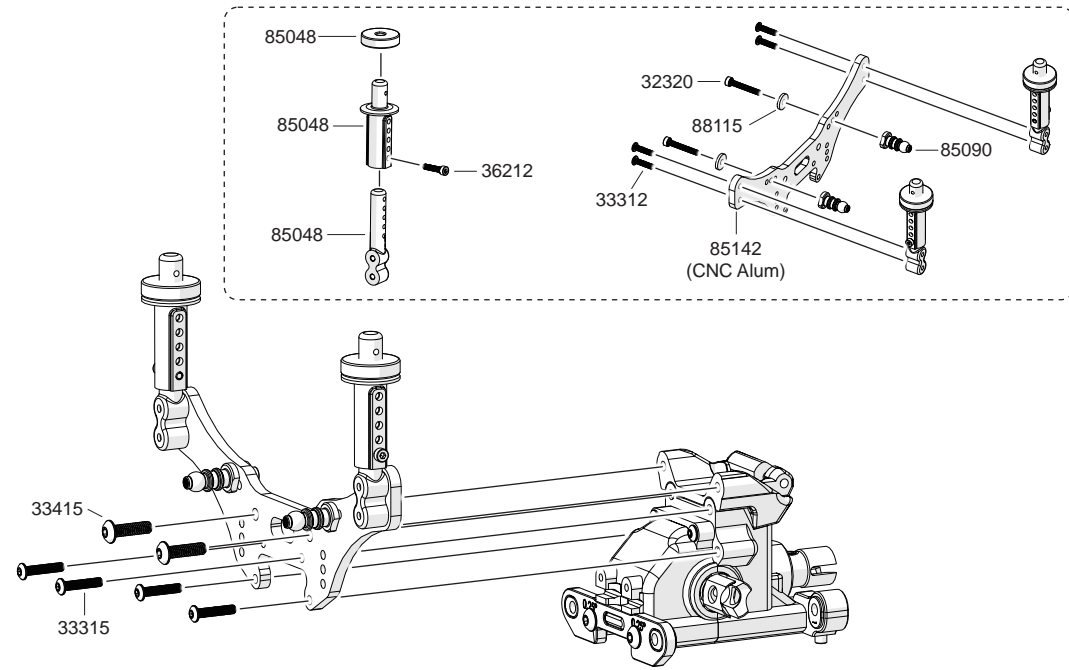
- 85152 M4x10 x2 Set Screw
- 39008 M3 Nut x2
- 90028 M3x50 x2 Cap Screw



20


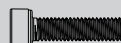
### Rear Shock Tower Assembly

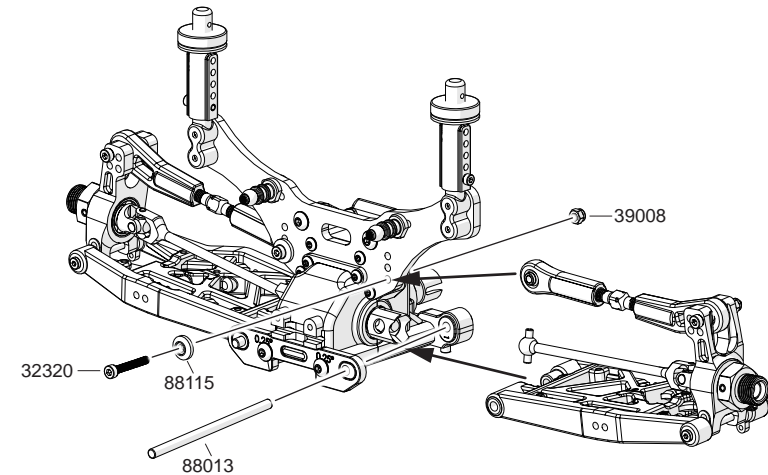
-  36212  
M2.6x12 x2  
Cap Screw
-  33312  
M3x12 x4  
B/H Screw
-  33315  
M3x15 x4  
B/H Screw
-  33415  
M4x15 x2  
B/H Screw
-  32320  
M3x20 x2  
Cap Screw



21

### Rear Suspension Arm Assembly

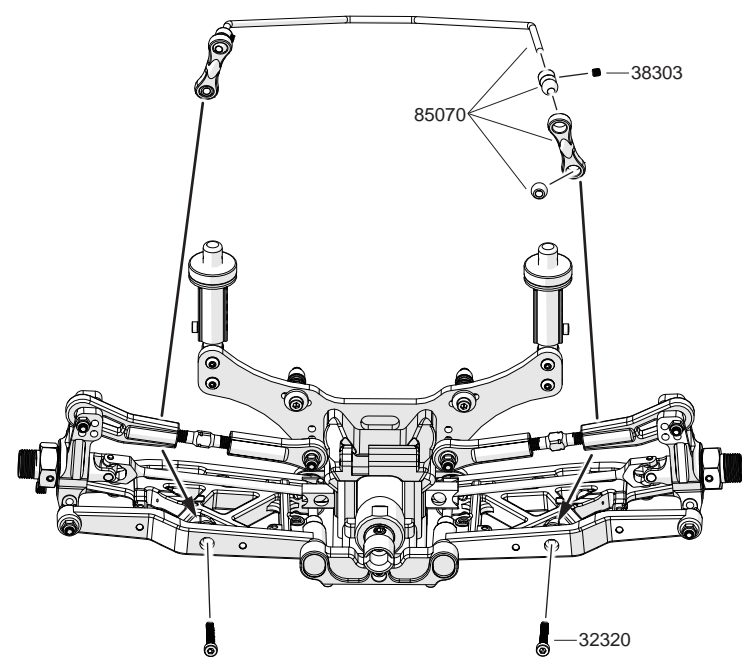
-  39008  
M3 Nut x2
-  32320  
M3x20 x2  
Cap Screw



22



### Rear Sway Bar Assembly 1

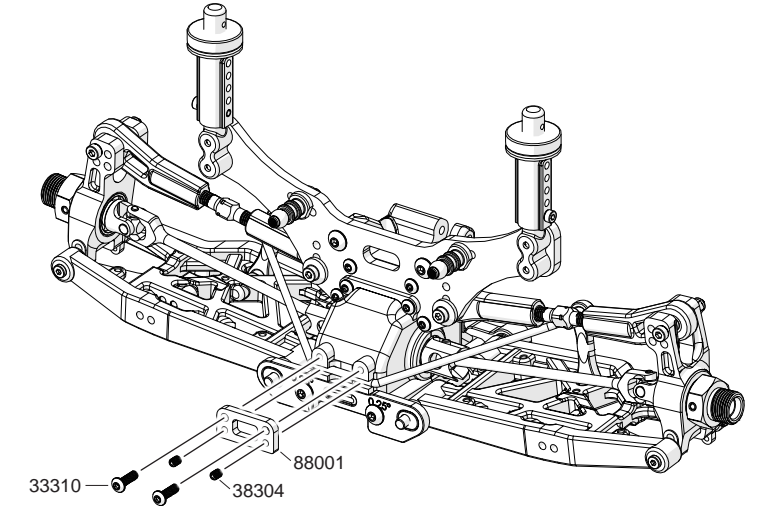
-  38303  
M3x3 x2  
Set Screw
-  32320  
M3x20 x2  
Cap Screw



23



### Rear Sway Bar Assembly 2

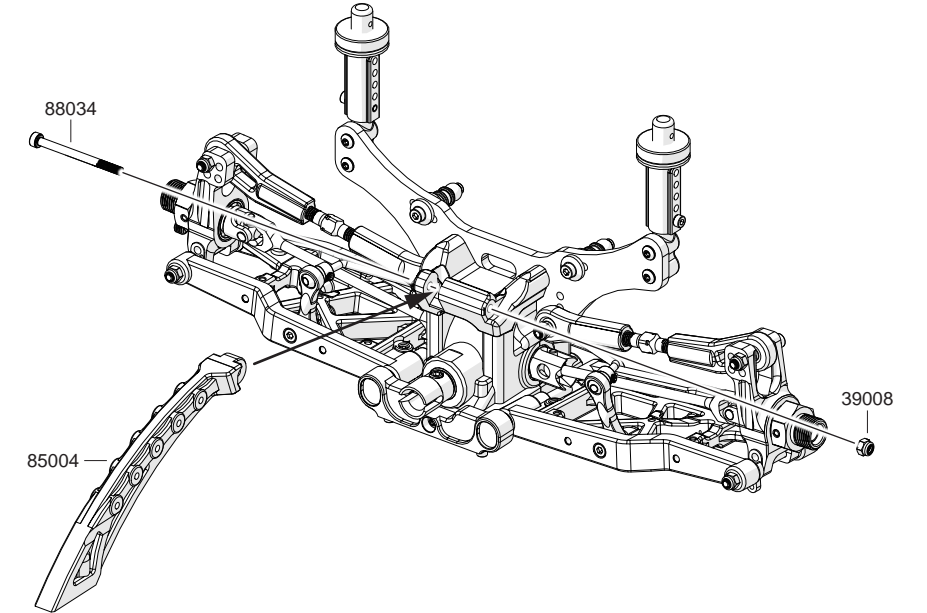
-  38304  
M3x4 x2  
Set Screw
-  33310  
M3x10 x2  
B/H Screw



24


### Rear Chassis Brace Assembly

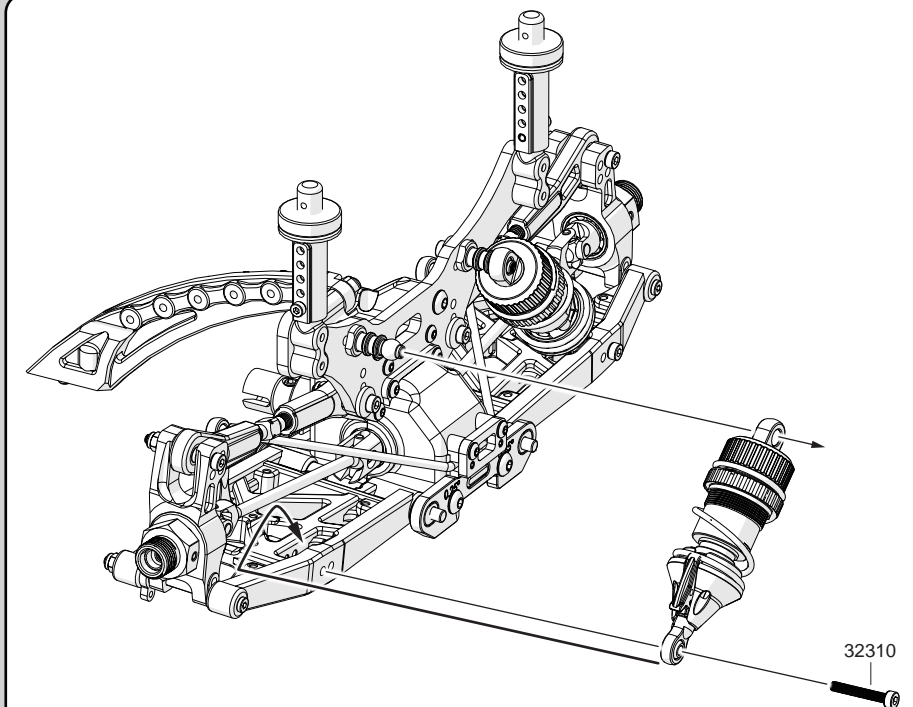
-  39008  
M3 Nut x2
-  88034  
M3x50 x1  
Cap Screw



25

### Rear Shock Assembly

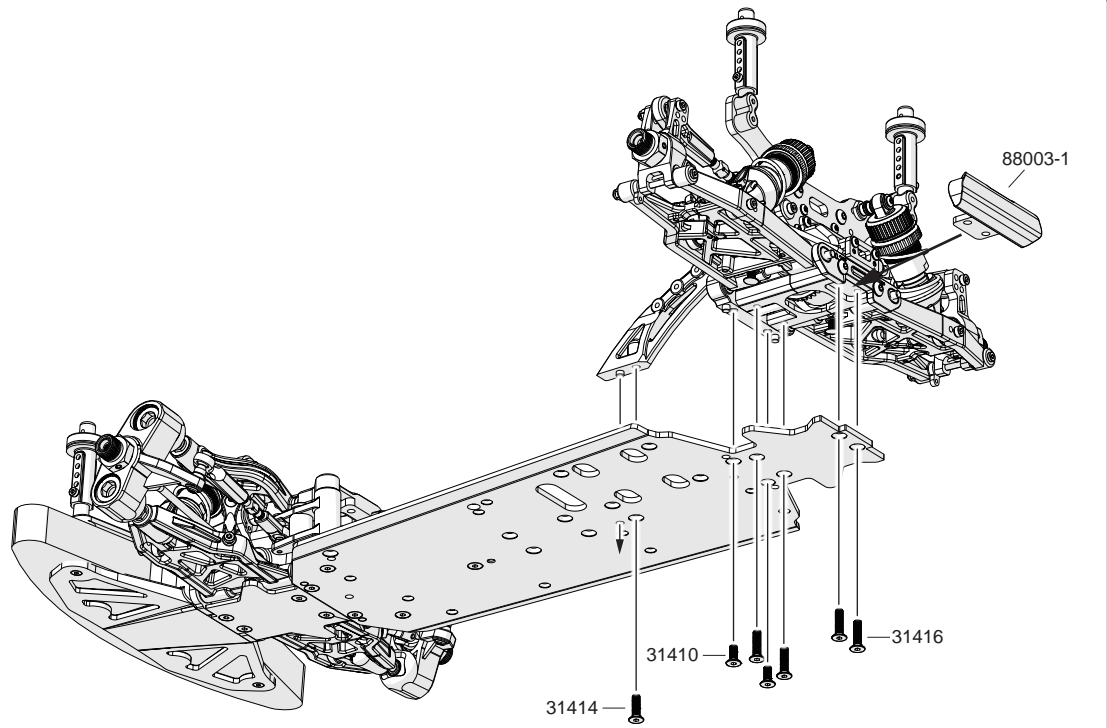
-  32310  
M3x10 x2  
Cap Screw



26

### Rear Clip Assembly

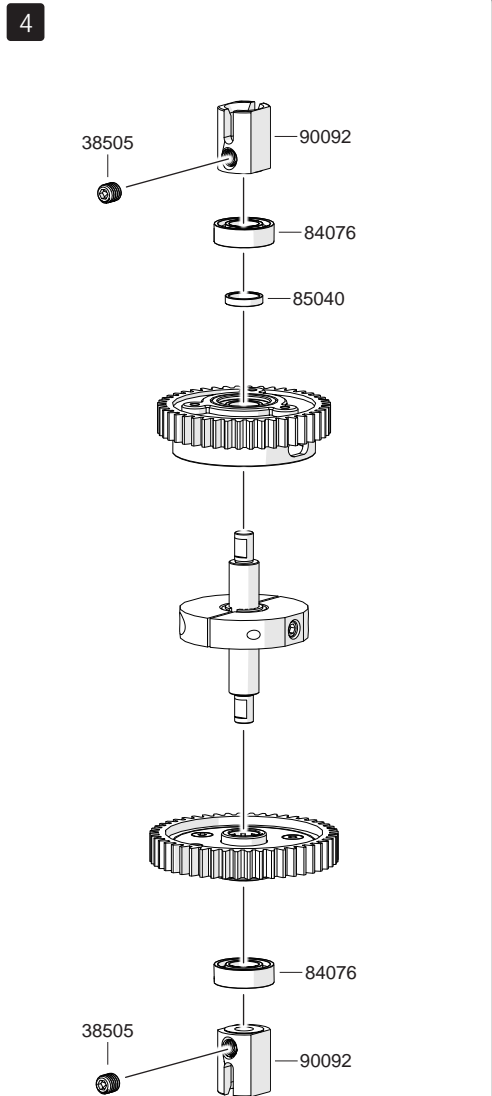
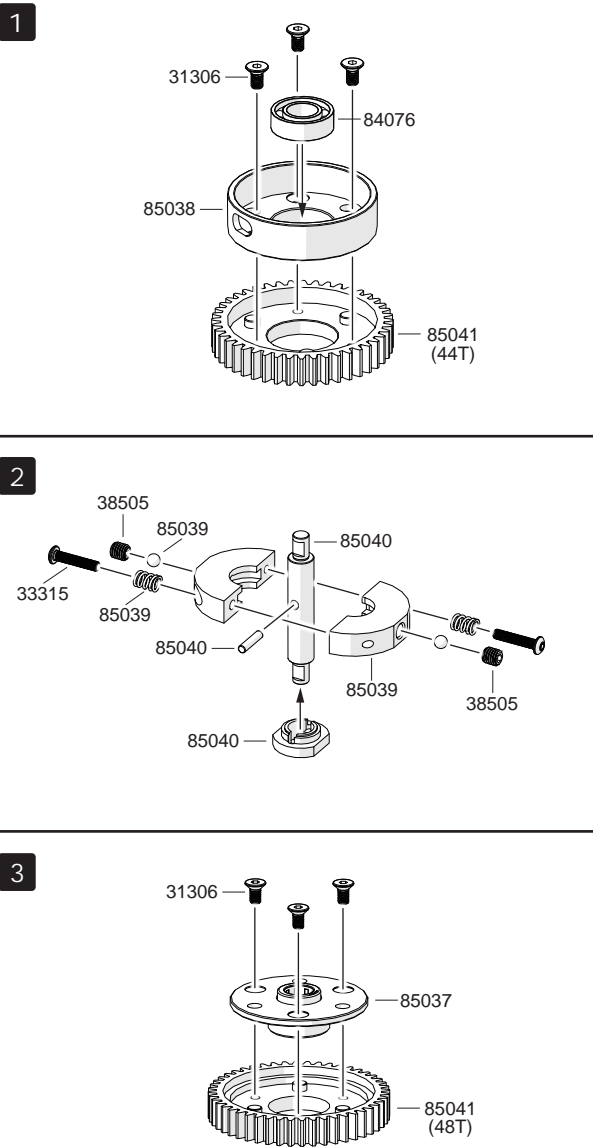
- 31410 M4x10 x2 F/H Screw
- 31414 M4x14 x1 F/H Screw
- 31416 M4x16 x4 F/H Screw



27

### 2-Speed Clutch Assembly 1

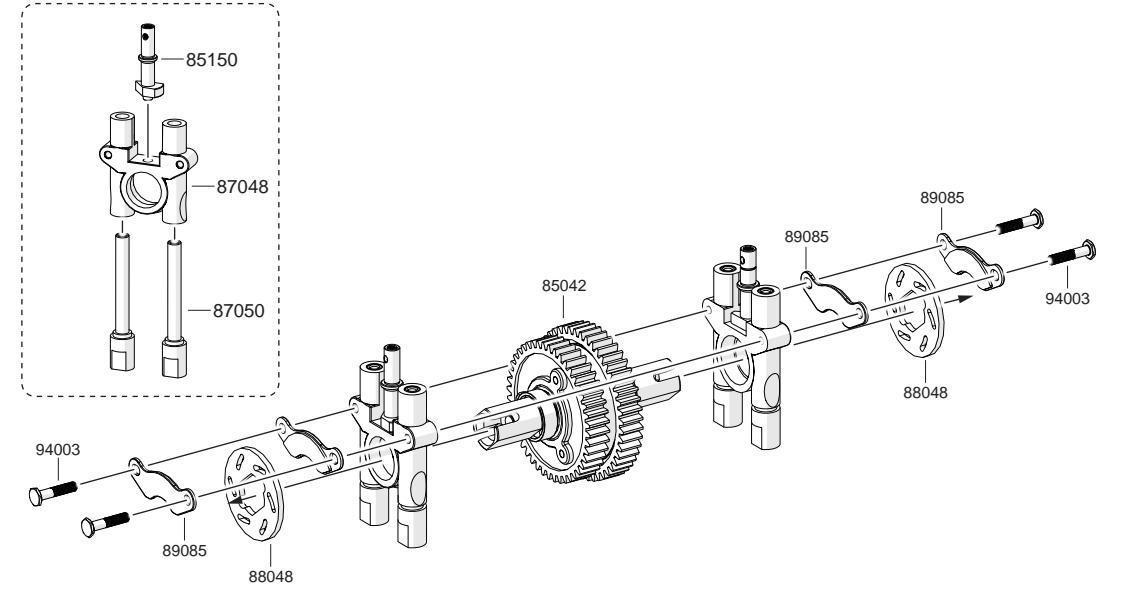
- 38505 M5x5 x4 Set Screw
- 31306 M3x6 x6 F/H Screw
- 33315 M3x15 x2 B/H Screw



28

### 2-Speed Clutch Assembly 2

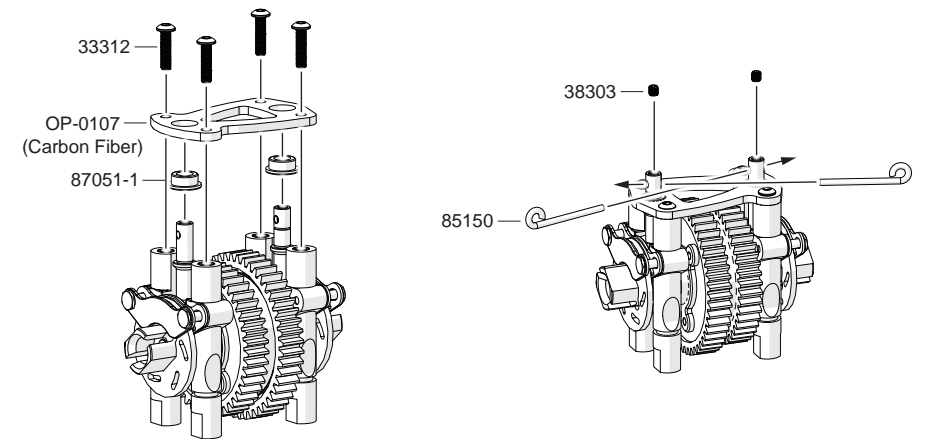
- 94003 M3x14.5 x4 Brake Screw



29

### 2-Speed Clutch Assembly 3

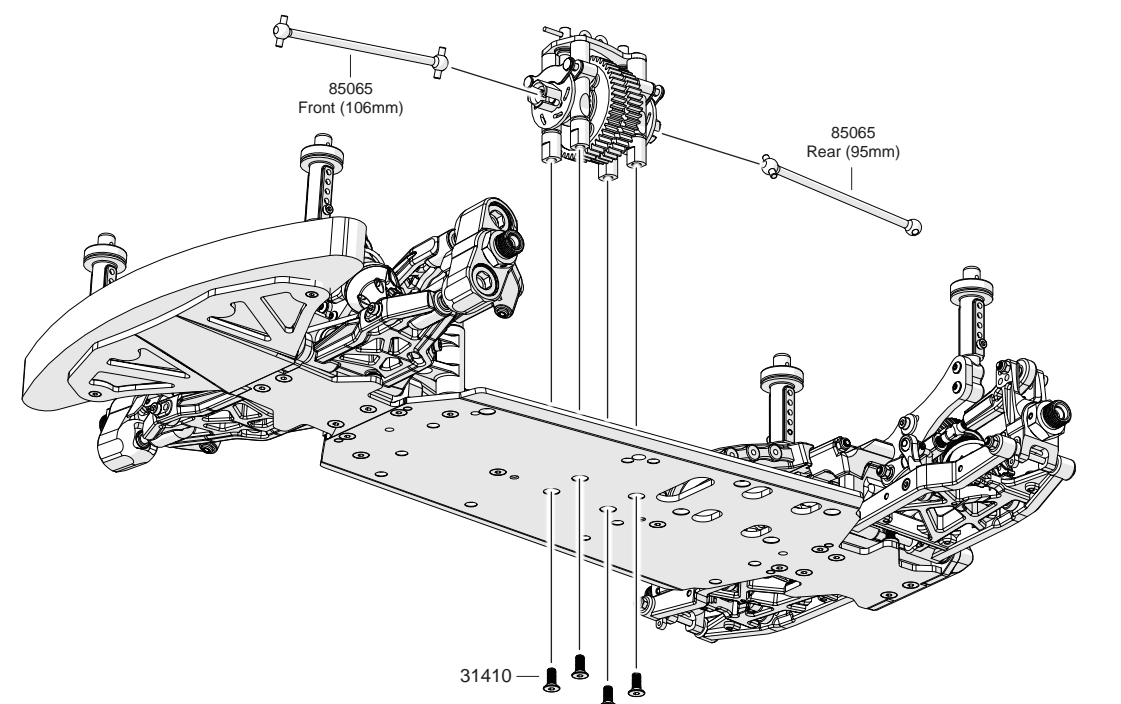
- 38303 M3x3 x2 Set Screw
- 33312 M3x12 x4 B/H Screw



30

### 2-Speed Gear Unit And Center Drive Shaft Assembly

- 31410 M4x10 x4 F/H Screw







35

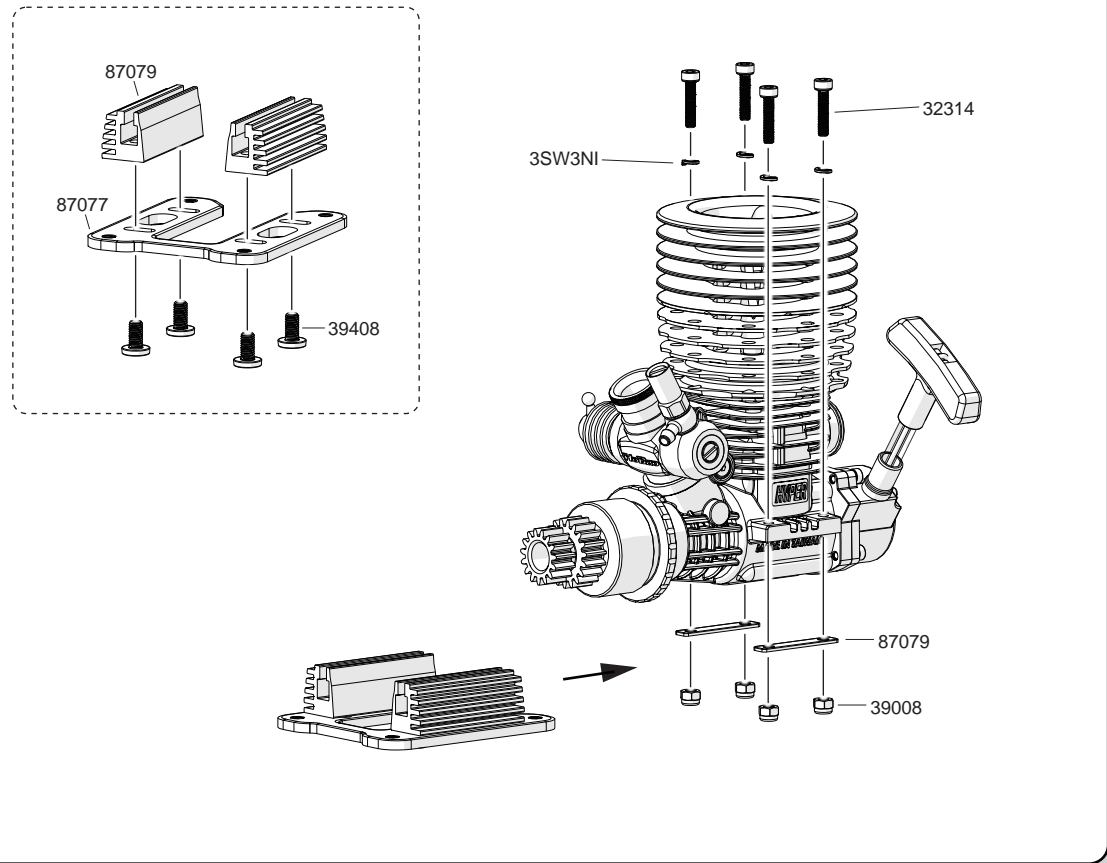
### Engine Mount Assembly



32314  
M3x14 x4  
Cap Screw



39408  
M4x8 x4  
Engine Screw

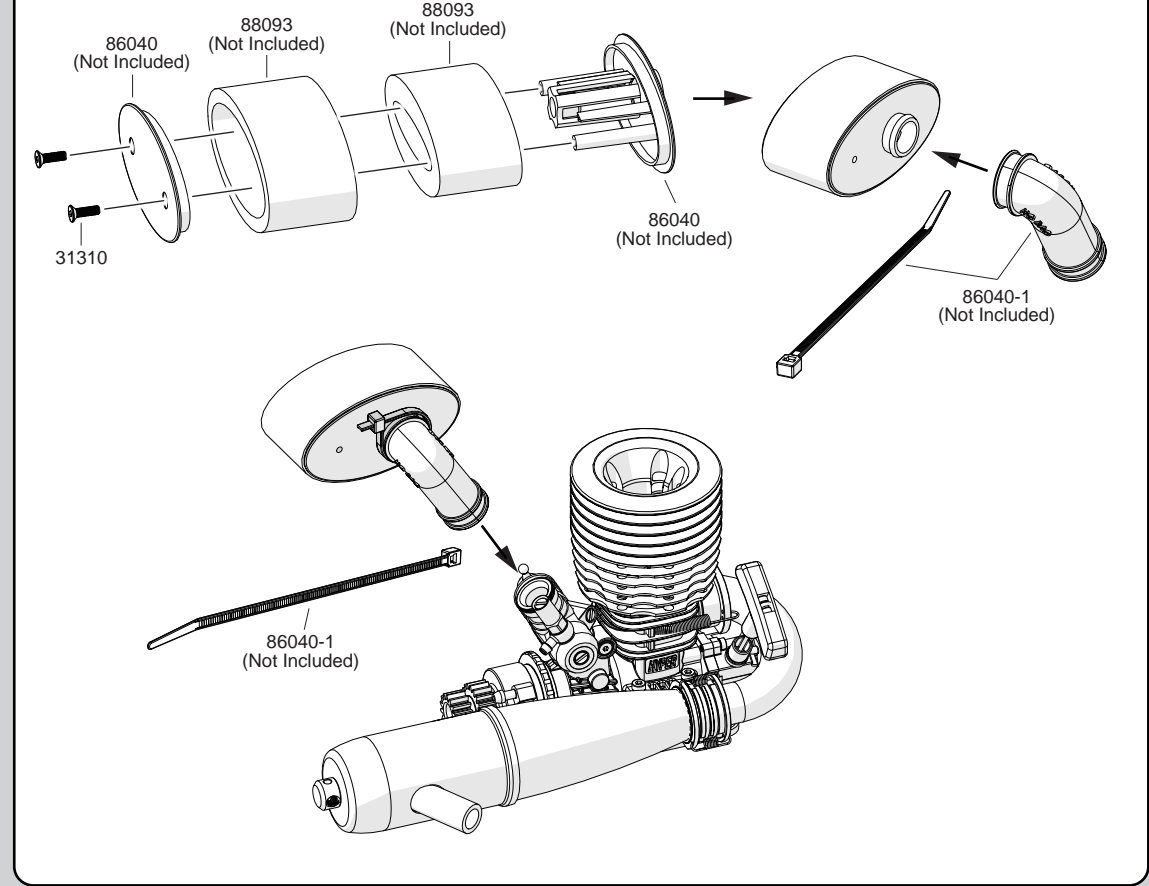


37

### Air Filter And Holder Assembly

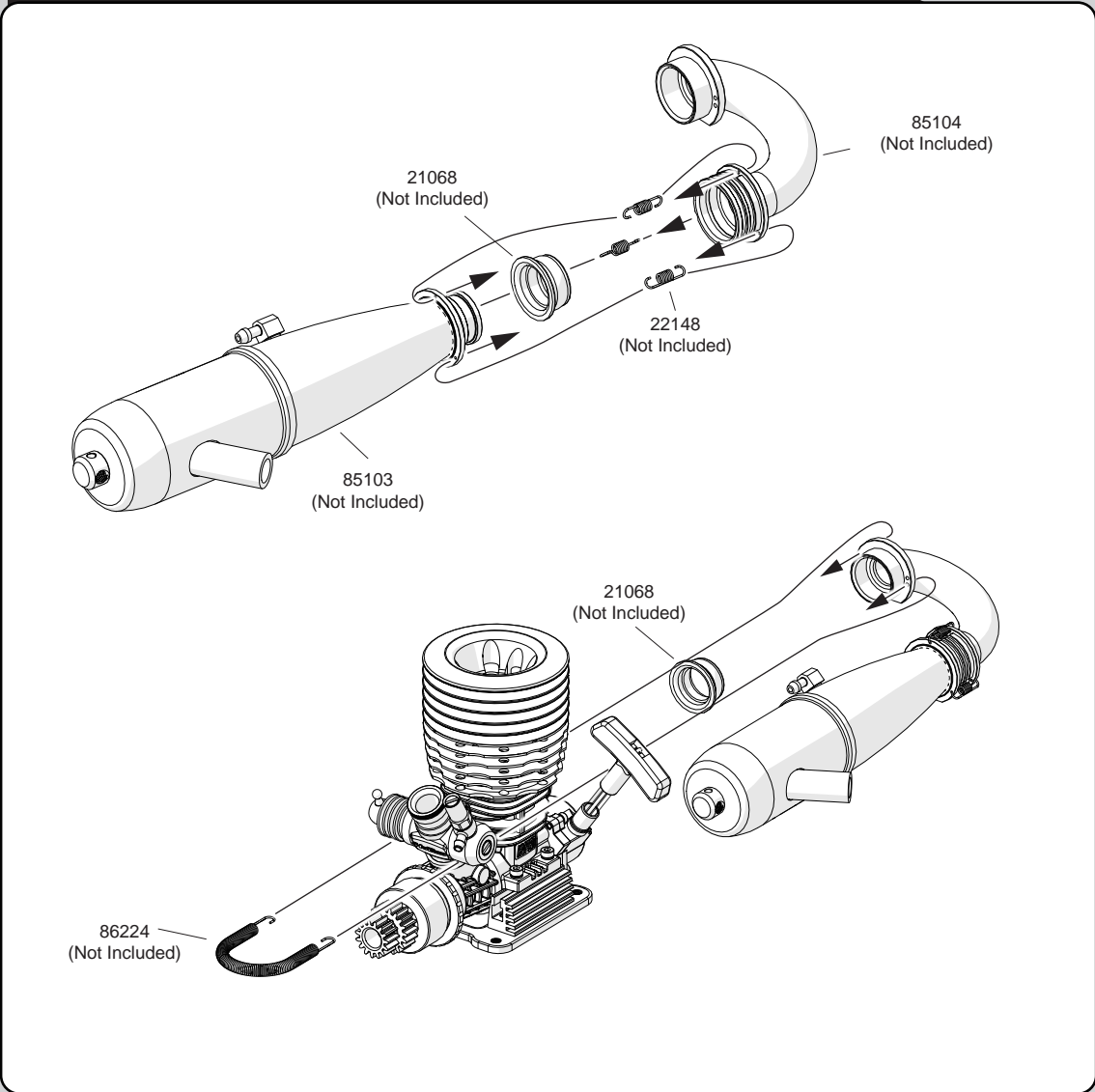


31310  
M3x10 x2  
F/H Screw



36

### In-Line Muffler And Manifold Assembly



38

### Engine Unit Assembly



38404  
M4x4 x2  
Set Screw



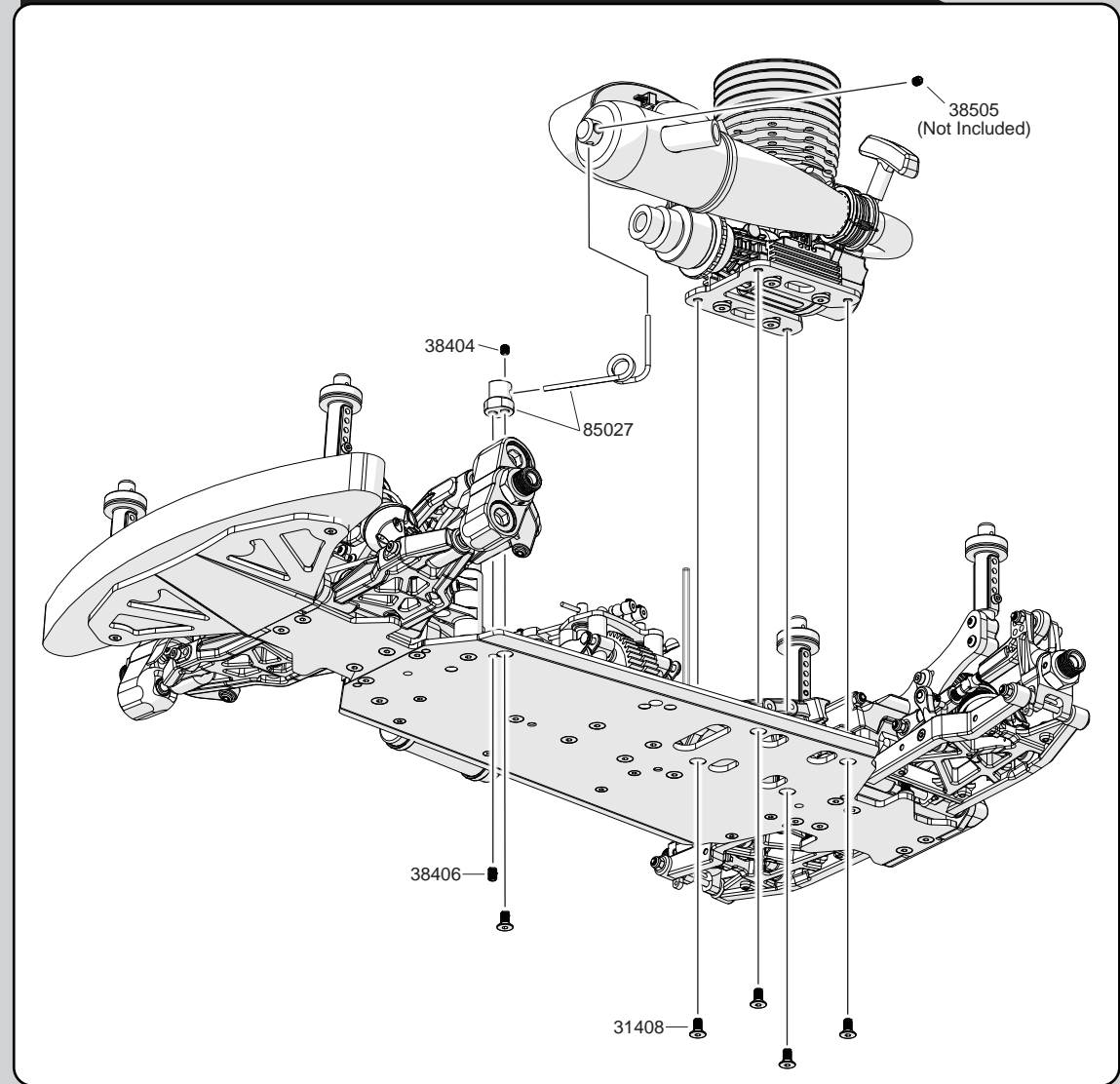
38406  
M4x6 x2  
Set Screw



38505  
M5x5 x1  
Set Screw



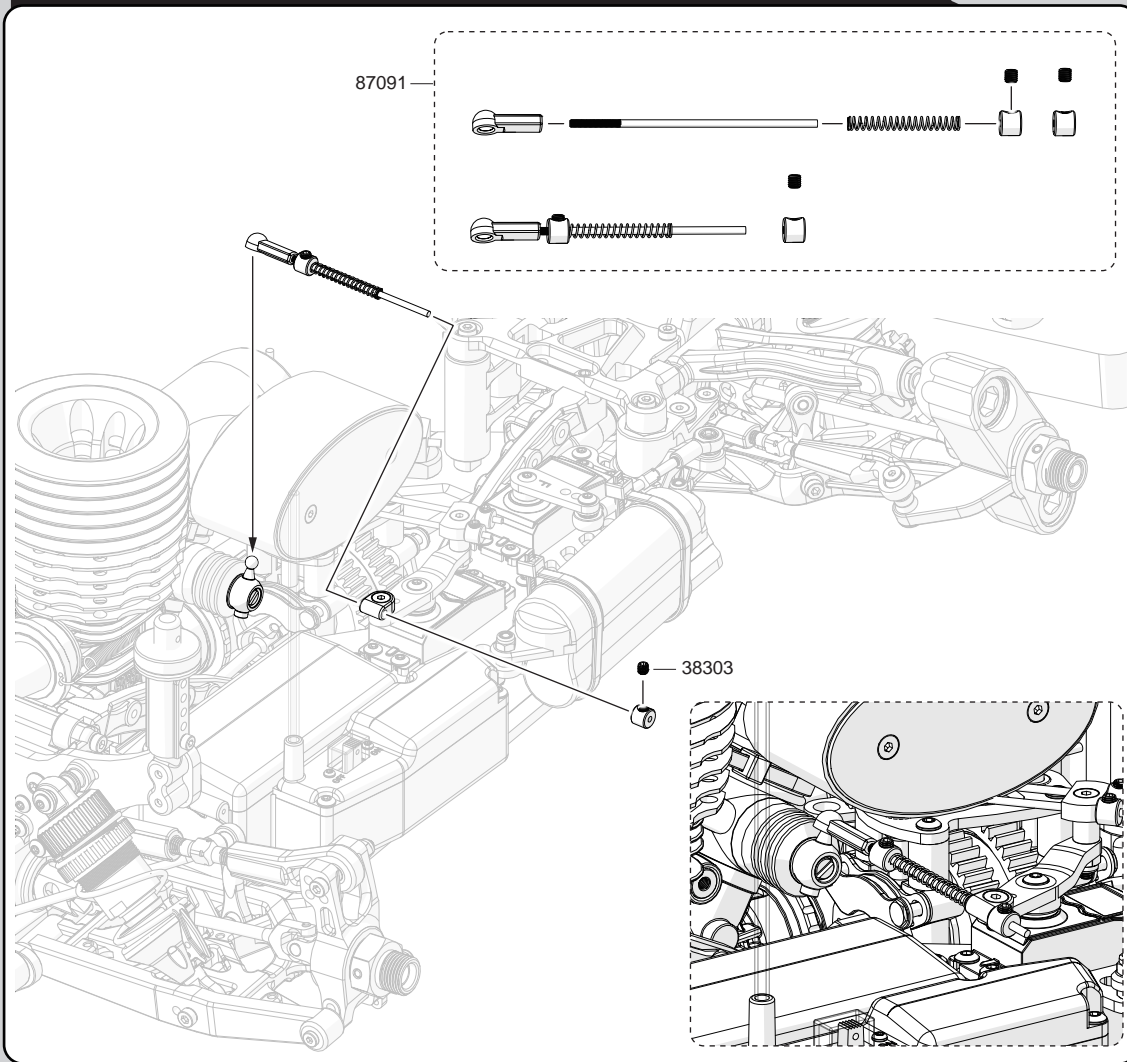
31408  
M4x8 x2  
F/H Screw



39

### Throttle Link Assembly

38303  
M3x3 x2  
Set Screw

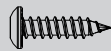


40

### Fuel Tank Assembly



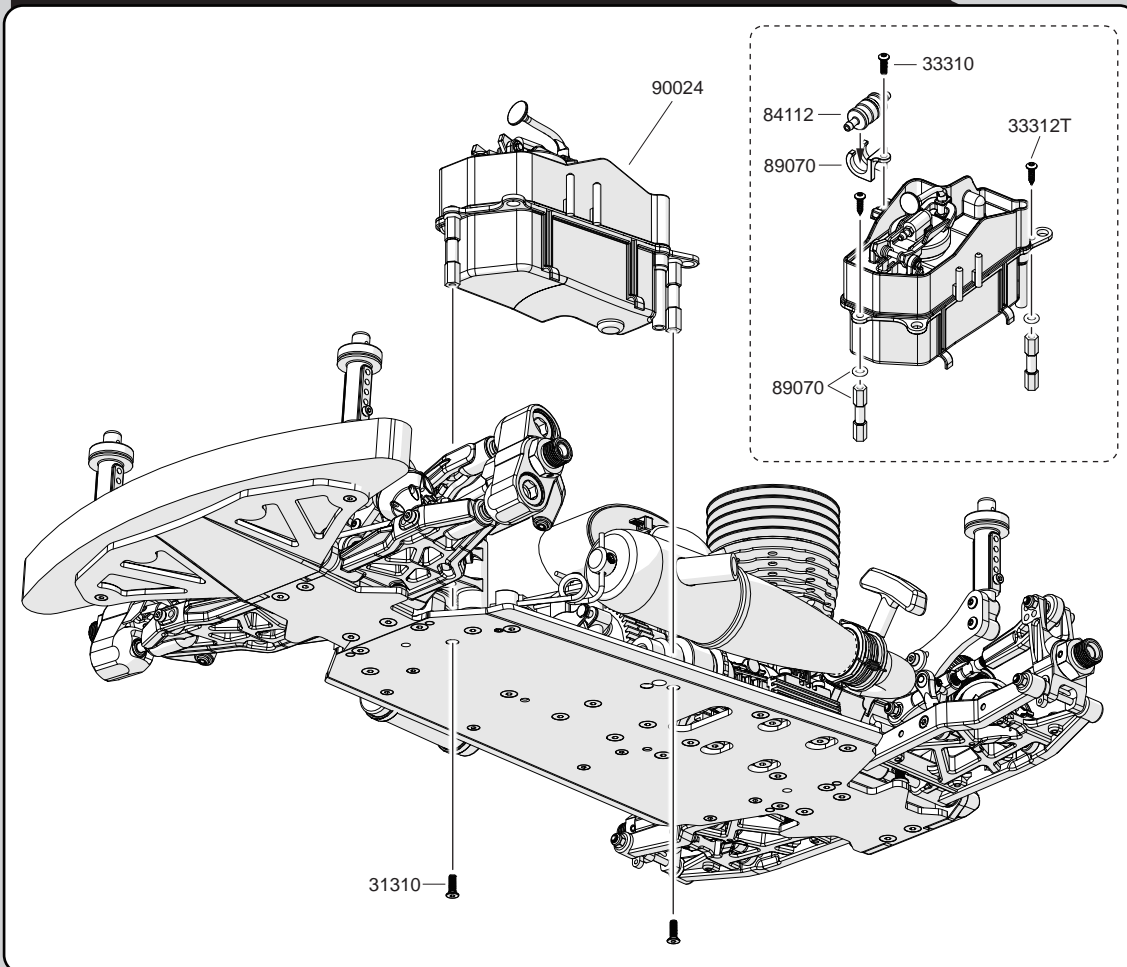
33310  
M3x10 x1  
B/H Screw



33312T  
M3x12 x2  
B/H Tap Screw



31310  
M3x10 x2  
F/H Screw



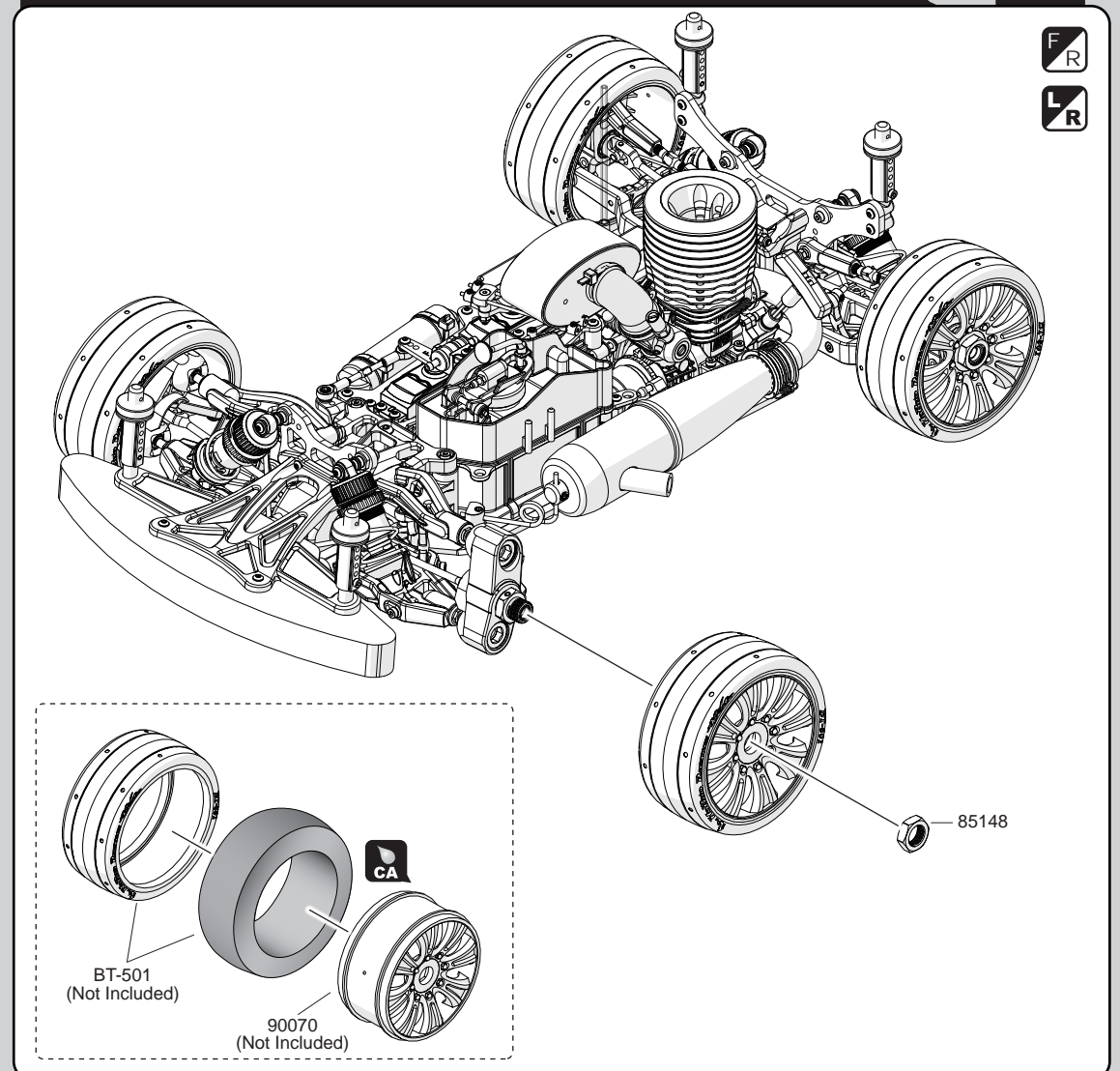
41

### Tire Assembly

x4

F

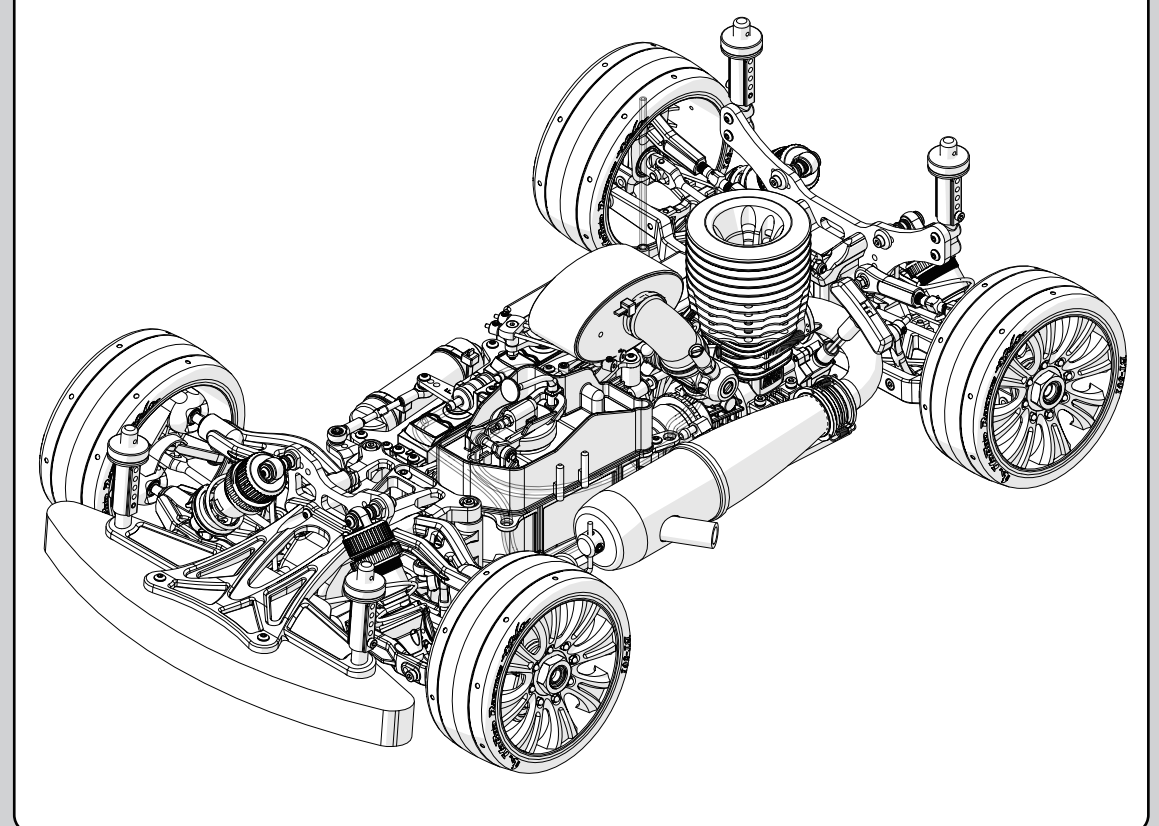
R



42

### Assembled

**This product does not contain body, engine, muffler, air filter, tires and wheels.**



# HYPERGT2

## PARTS LIST




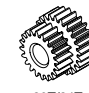
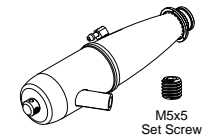
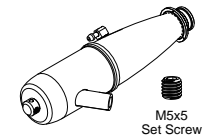
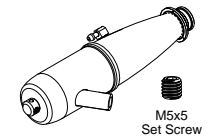
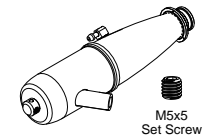
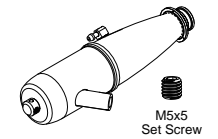
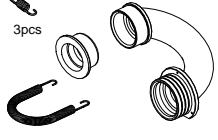
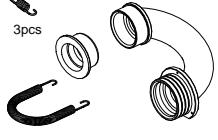
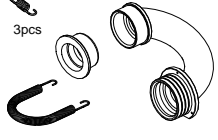
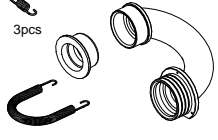
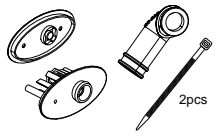
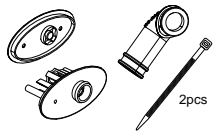
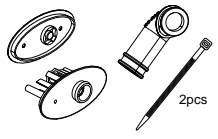
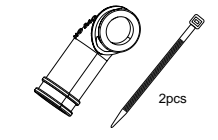
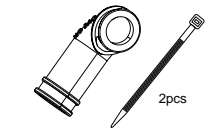
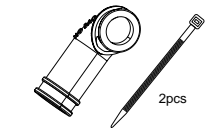
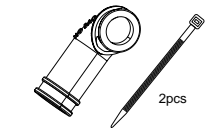
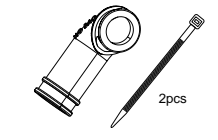
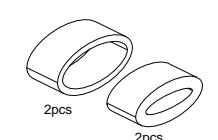
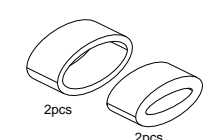
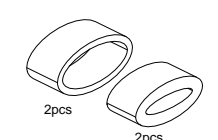
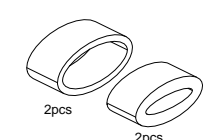
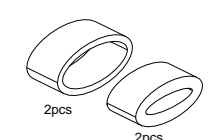
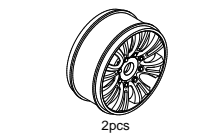
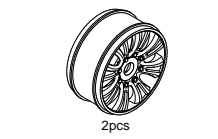
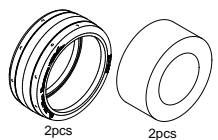
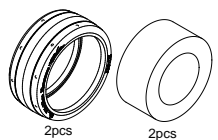
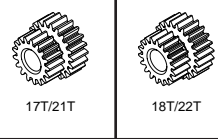
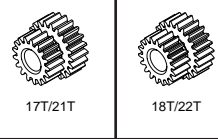
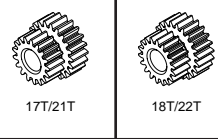
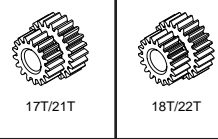
224044  2pcs	84187C  CNC Alum	85035 	85059  CNC Alum	85087  3x43mm Alum 7075	85112  5.8mm Alum 7075 4pcs
36101  5.8x1.9mm O-ring 10pcs	84187W  3x6x0.5mm 6pcs 5x8x0.25mm 6pcs	85036  2pcs 2pcs	85060  CNC Alum	85088  4x40mm Alum 7075 2pcs	85113 
36813  6.2x11.8x0.3 10pcs	85002  2pcs	85037  M3x6mm 3pcs	85064  CNC Alum	85089  5x50mm Alum 7075 2pcs	85114  CNC Alum 7075 2pcs 2pcs
39057  2.5x10.8mm 2pcs	85004 	85038  M3x6mm 3pcs	85065  Φ3.8x88mm Φ3.8x97mm	85090  6.8mm Alum 7075 4pcs	85115  2pcs
84057C 	85007 	85039  2pcs M3x15mm 2pcs M3x3 Set Screw 2pcs	85067  2pcs 2.5x13.8mm Pin 2pcs	85091  6.8mm Alum 7075 4pcs	85116 
84062-1  10pcs	85011  4x43.5mm Pin 2pcs	85040 	85068  3x43mm Alum 7075 Alum 2pcs	85092  6.8mm Alum 7075 4pcs	85117 
84076  8x16x5mm 4pcs	85022  2pcs 2pcs	85041  48T 44T	85069  2pcs Alum M3x3 Set Screw 2pcs 2pcs Alum	85093  6.8mm Alum 7075 4pcs	85126  2pcs 2pcs
84078  6x10x3mm 4pcs	85026  2pcs 2pcs 2pcs 2pcs	85042 	85070  2pcs Alum M3x3 Set Screw 2pcs 2pcs Alum	85094  7.8mm Alum 7075 4pcs	85140  2pcs
84133 	85027  M4x4 Set Screw	85048  2pcs 2pcs 4pcs	85078  2pcs 4pcs	85110  5.8x1.9x2mm O-ring 2pcs M4x4 Set Screw	85141  CNC Alum
84187  3x6x0.5mm 5x8x0.25mm 4pcs M3x6 5x10mm Bearing 2pcs	85029  4pcs	85051  4pcs	85082  2pcs	85111  M3x15 4pcs 43T	85142  CNC Alum

# HYPERGT2

## PARTS LIST

85143  CNC Alum	85153  3.1x6x2.5 CNC Alum	87086  3pcs	87088  4pcs	88002  M4x47 Screw 4pcs	89635  M3x8 CNC Alum	90079  2pcs
85144  CNC Alum	87005-2  6.1x13.9x0.15 Washer 6pcs	87091  2pcs M3x3 Set Screw 4pcs 4pcs	88003-1 	90024  Fuel Tank 150CC	90082  2pcs	
85145  CNC Alum	87021  2pcs M4x4 Set Screw 2pcs	87206 	88013  4x73mm Pin 4pcs	90028  M3x50 2pcs	90092  2pcs	
85146  2pcs M5x4 Set Screw 2pcs 2.5x16.8mm Pin 2pcs	87027-1  2.5x16.8mm Pin 4pcs	87208  8pcs	88030  4pcs 4pcs	90036  4x2mm O-ring 10pcs 5pcs 5pcs	94003  M3x14.5 2pcs	
85147  2pcs M5x4 Set Screw 2pcs 2.5x16.8mm Pin 2pcs	87028  13T	87209  4pcs	88034  M3 Nut M3x50 Screw	90047  4pcs	94117  2pcs 2.5x10.8mm 2pcs 6.1x13.9x0.15 Washer 2pcs 4pcs 4.1x8x0.1 Washer 4pcs	
85148  4pcs	87048  2pcs 2pcs	87354  2pcs	88048  2pcs	90048  4pcs	OP-005 	
85149  15T/19T	87050  4pcs	87375  6pcs	88115  6pcs	90049  4pcs 4pcs 4pcs 4pcs	OP-0106  Carbon Fiber	
85150  M3x6mm 2.5x22.8mm Pin 2pcs	87051-1  4pcs	87603  2pcs	89085  2pcs 2pcs	90052  2pcs	OP-0107  Carbon Fiber	
85151  M3x6mm M3 Nut 2pcs M3x3 Set Screw 4pcs 2.8x1.9mm O-ring 2pcs M3x20mm 2pcs	87077  M4x8mm 4pcs	87613  Antenna tube 6pcs	89147  CNC Alum	90053  2pcs	OP-0162  Φ1.1mm 3pcs Φ1.0mm 3pcs CNC Alum 3pcs	
85152  M4x10 Set Screw 5pcs	87079  M3x14mm 4pcs M3 Nut 4pcs M4x6mm Engine Screw 5pcs	88001 	89604  4pcs 4pcs 2pcs 6pcs	90071  M3 Nut 2pcs 3.1x7x0.25mm 2pcs	OP-0163  Φ1.0mm 3pcs	OP-0164  Φ1.1mm 3pcs

STANDARD PARTS			
22148	3 SPRINGS FOR CONNECTING MANIFOLD	85094	ALUM 7075 FLANGED BALL - 7.8MM
224044	FLYWHEEL NUT	85110	NEW DIFFERENTIAL CASE SET
36101	O-RING 5.8x1.9MM	85111	NEW CROWN GEAR 43T FOR # 85110
36813	SPACER 6.2x11.8x0.3MM	85112	ALUM 7075 FLANGED BALL - 5.8MM
39057	PIN 2.5x10.8MM	85113	NEW SERVO SAVER ARM
84057C	FLYWHEEL COLLAR, 2PCS	85114	CNC ALUM 7075 STEERING RACK SET
84062-1	BODY FOAM SPACER	85115	SERVO SAVER POST SET
84076	BEARING 8x16x5MM	85116	FRONT UPPER ARM
84078	BEARING 6x10x3MM	85117	FRONT LOWER ARM
84133	SWITCH COVER	85126	FRONT BODY POST
84187	CLUTCH BELL SET	85140	SHOCK SPRING- HARD/ ORANGE, 2PCS
84187C	CLUTCH BELL FOR 2-SPEED	85141	HYPER GT2 CNC ALUM CHASSIS
84187W	CLUTCH BELL WASHER	85142	CNC ALUM REAR SHOCK TOWER
85002	REAR LOWER ARM SET	85143	CNC ALUM LIGHTWEIGHT FRONT UPPER ARM MOUNT
85004	FRONT/REAR CHASSIS BRACE SET	85144	CNC ALUM REAR LOWER ARM HOLDER(RR)- 0.25 DEG/ +4MM
85007	EXTRA BATTERY COMPARTMENT FOR LIPO	85145	CNC ALUM REAR LOWER ARM HOLDER(RF) +4MM
85011	PIN 4x4x3.5MM	85146	17mm WHEEL HEX HUB SET
85022	STEERING KNUCKLE ARM	85147	17MM +2MM WHEEL HEX HUB SET
85026	ADJUSTABLE ARM INSERT	85148	17MM ANTI LOOSE WHEEL HEX NUT, 4PCS
85027	MUFFLER MOUNT SET	85149	2-SPEED PINION GEAR 15T/19T
85029	ARM SPACER	85150	BRAKE CAM SHAFT SET
85035	VT FRONT BUMPER FOAM	85151	THROTTLE SERVO HORN SET
85036	VT FRONT BUMPER SET WITH BODY POST	85152	DROOP SCREW, 5PCS
85037	VT 2-SPEED GEAR HOUSING - 1st FOR GP	85153	CNC ALUM BUSHING 3.1x6 x2.5mm, 5PCS
85038	VT 2-SPEED GEAR HOUSING - 2nd FOR GP	87005-2	SPACER 6.1x13.9x0.15MM
85039	VT 2-SPEED CLUTCH SET FOR GP	87021	OUTDRIVE CUP
85040	VT 2-SPEED SHAFT AND ADAPTOR FOR GP	87027-1	PIN 2.5x16.8MM, 4PCS
85041	VT 2-SPEED SPUR GEAR 44T/48T FOR GP	87028	DIFFERENTIAL PINION GEAR 13T
85042	VT 2-SPEED SET FOR GP	87048	CENTER DIFFERENTIAL MOUNT
85048	VT REAR BODY POST	87050	CENTER DIFFERENTIAL MOUNT POST
85051	SHOCK BOOT, 4 PCS	87051-1	BRAKE CAM SPACER
85059	CNC ALUM FRONT LOWER ARM HOLDER (FR)	87077	ENGINE MOUNT PLATE
85060	CNC ALUM FRONT SHOCK TOWER- 4MM	87079	ENGINE MOUNT
85064	CNC ALUM FRONT LOWER ARM HOLDER (FF)	87086	RADIO TRAY POST
85065	CENTER DRIVE SHAFT SET	87088	SERVO MOUNTING HOLDER
85067	LIGHTWEIGHT DIFFERENTIAL OUTDRIVE CUP	87091	THROTTLE LINKAGE SET
85068	ALUM 7075 SERVO LINKAGE SET FOR STEERING	87206	PIVOT BALL FRONT STEERING HUB
85069	FRONT SWAY BAR SET	87208	PIVOT BALL PLASTIC BALL WASHER/SPACER
85070	REAR SWAY BAR SET	87209	PIVOT BALL NUT
85078	ADJUSTABLE ARM RETAINER CLIP	87354	FRONT UNIVERSAL JOINT DRIVESHAFT
85082	WASHER FOR SERVO SAVER	87375	BODY CLIP
85087	ALUM 7075 TURNBUCKLE 3X43MM	87603	BATTERY BOX
85088	ALUM 7075 TURNBUCKLE 4X40MM	87613	ANTIENNA TUBE, 6 PCS
85089	ALUM 7075 TURNBUCKLE 5X50MM	88001	GEAR BOX
85090	ALUM 7075 SHOCK BALL - 6.8MM	88002	HEX SCREW 4x47MM
85091	ALUM 7075 BALL - 6.8MM	88003-1	REAR BUMPER
85092	ALUM 7075 FLANGED BALL - 6.8MM	88013	ARM SHAFT 4x73MM
85093	ALUM 7075 FLANGED BALL - 6.8MM	88030	REAR UPPER ARM PLASTIC ROD END

SCREW		OPTIONAL PARTS					
31306	M3x6 FLAT HEAD SCREW	21068	SILICONE MANIFOLD SEAL, 2 PCS	21068	22148	OP-0042	OP-0043
31310	M3x10 FLAT HEAD SCREW	22148	3 SPRINGS FOR CONNECTING MANIFOLD				
31312	M3x12 FLAT HEAD SCREW	85103	NEW IN-LINE MUFFLER	2pcs	3pcs	19T/23T	20T/24T
31315	M3x15 FLAT HEAD SCREW	85104	NEW MANIFOLD SET	<b>85103</b>			
31318	M3x18 FLAT HEAD SCREW	86040	AIR FILTER BASE AND CAP				
31320	M3x20 FLAT HEAD SCREW	86040-1	AIR FILTER INTAKE TUBE	<b>OP-0090</b>			
31322	M3x22 FLAT HEAD SCREW	86224	MANIFOLD SPRING				
31408	M4x8 FLAT HEAD SCREW	88093	AIR FILTER FOAM				
31410	M4x10 FLAT HEAD SCREW	90070	VT/GT WHEEL				
31414	M4x14 FLAT HEAD SCREW	BT-501	VT/GT NEW TIRES WIHT INSERT	<b>85104</b>			
31416	M4x16 FLAT HEAD SCREW	OP-0040	2-SPEED PINION GEAR 17T/21T				
32306	M3x6 CAP HEAD SCREW	OP-0041	2-SPEED PINION GEAR 18T/22T	<b>OP-0091</b>			
32310	M3x10 CAP HEAD SCREW	OP-0042	2-SPEED PINION GEAR 19T/23T				
32312	M3x12 CAP HEAD SCREW	OP-0043	2-SPEED PINION GEAR 20T/24T				
32314	M3x14 CAP HEAD SCREW	OP-0090	DOUBLE LOCK WHEEL FLANGE HUB(HARD COATING), 2PCS				
32320	M3x20 CAP HEAD SCREW	OP-0091	DOUBLE LOCK WHEEL FLANGE HUB(GOLD), 2PCS				
32325	M3x25 CAP HEAD SCREW	OP-0092	DOUBLE LOCK WHEEL FLANGE HUB(BRONZE), 2PCS	<b>86040</b>			
33210	M2x10 BUTTON HEAD SCREW	OP-0110	HYPER VS FRONT STABILIZER SET(2.3mm/2.8mm/3mm)				
33306	M3x6 BUTTON HEAD SCREW	OP-0111	HYPER VS REAR STABILIZER SET(2.3mm/2.5mm/3mm)				
33308	M3x8 BUTTON HEAD SCREW	OP-0148	ALUM. DIFF CASE WITH COVER, GASKET, SCREWS				
33310	M3x10 BUTTON HEAD SCREW	OP-0168	2-SPEED PINION GEAR 14T/18T	<b>OP-0110</b>			
33312	M3x12 BUTTON HEAD SCREW	OP-0169	2-SPEED PINION GEAR 16T/20T				
33315	M3x15 BUTTON HEAD SCREW	OP-0170	PIPE MOUNT WIRE				
33318	M3x18 BUTTON HEAD SCREW						
33412	M4x12 BUTTON HEAD SCREW			<b>86224</b>			
33415	M4x15 BUTTON HEAD SCREW						
36212	M2.6x12 CAP HEAD SCREW						
38303	M3x3 SET SCREW			<b>88093</b>			
38304	M3x4 SET SCREW						
38404	M4x4 SET SCREW						
38406	M4x6 SET SCREW						
38504	M5x4 SET SCREW						
38505	M5x5 SET SCREW						
39004	M3 NUT			<b>90070</b>			
39008	M3 NYLON NUT						
							
				<b>BT-501</b>			
							
							
				<b>OP-0040</b>			
							
							
							
							

# HYPERGT2

## NO.90082 FRONT/REAR SHOCK SET

